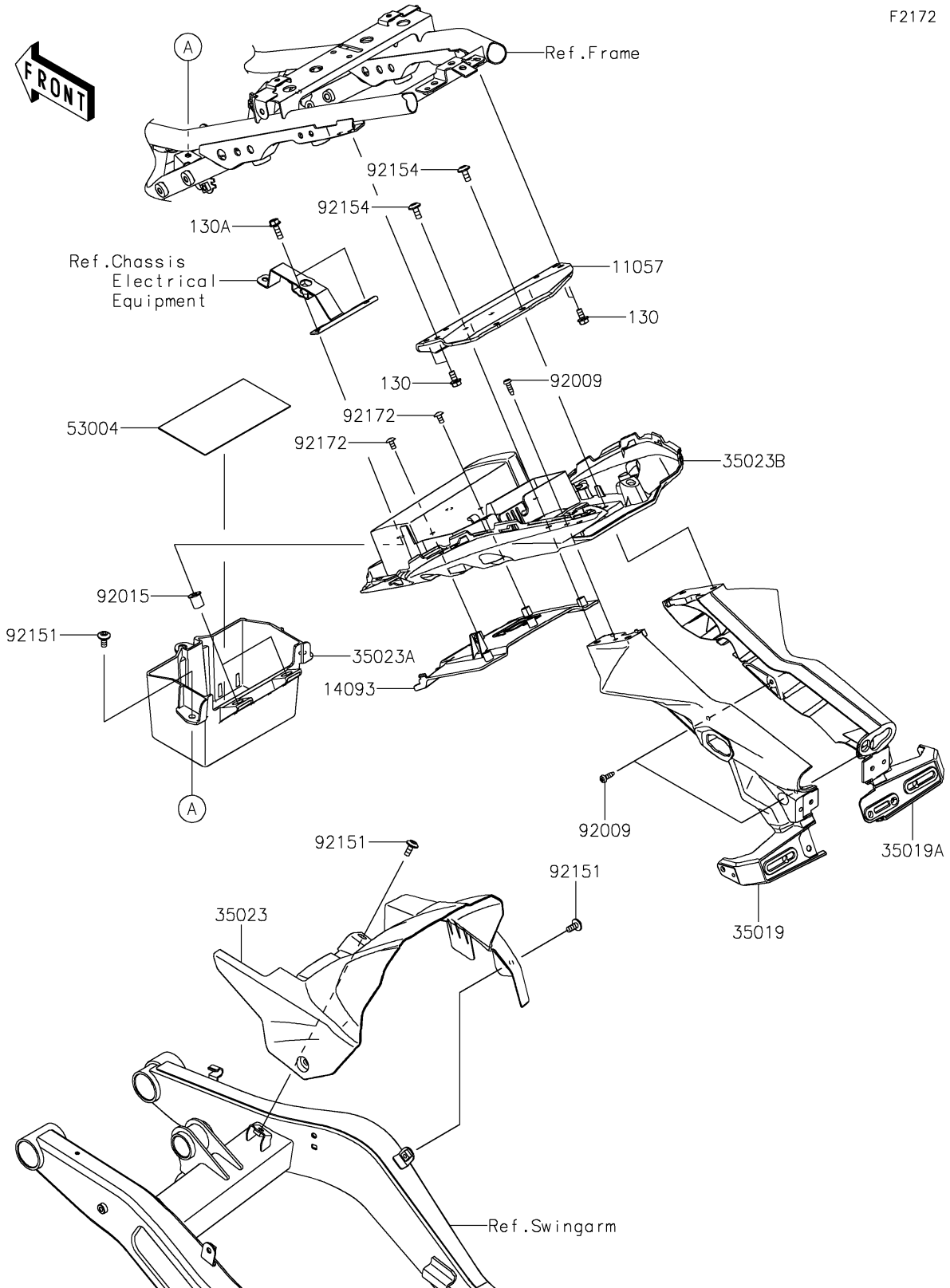


# 2019 NINJA® 650 ABS PARTS DIAGRAM

Rear Fender(s)

F2172



# 2019 NINJA® 650 ABS PARTS LIST

Rear Fender(s)

ITEM NAME	PART NUMBER	QUANTITY
-----------	-------------	----------