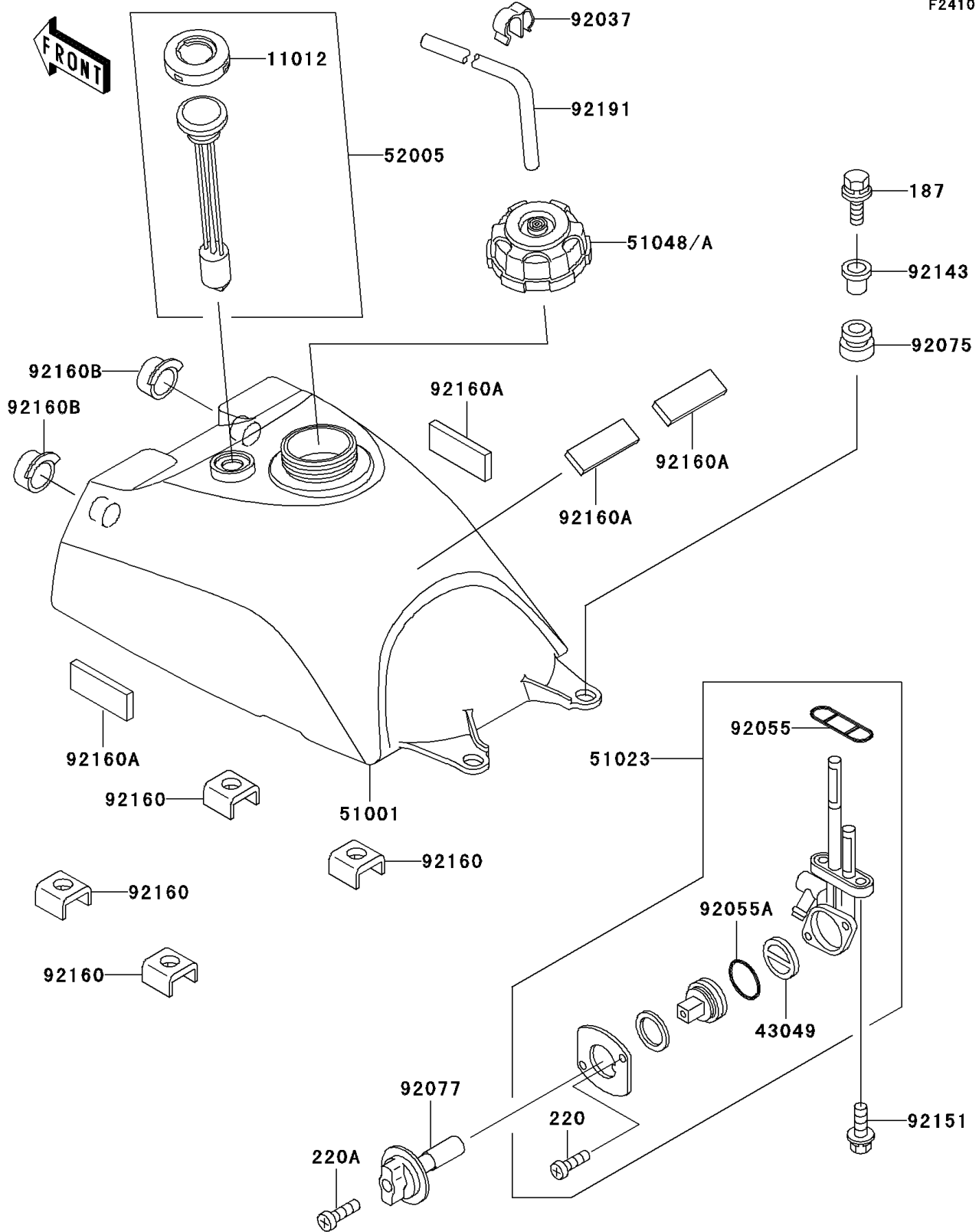


1999 Prairie 400 PARTS DIAGRAM

Fuel Tank

F2410



1999 Prairie 400 PARTS LIST

Fuel Tank

ITEM NAME	PART NUMBER	QUANTITY
BOLT-UPSET-WSP,6X35 (Ref # 187)	187G0635	2
SCREW-PAN-CROS,3X8 (Ref # 220)	220B0308	2
SCREW-PAN-CROS,4X25,BLACK (Ref # 220A)	220C0425	1
CAP,FUEL GAUGE (Ref # 11012)	11012-1627	1
PACKING,TAP VALVE (Ref # 43049)	43049-1066	1
TANK-COMP-FUEL (Ref # 51001)	51001-1500	1
TAP-ASSY,FUEL (Ref # 51023)	51023-1254	1
CAP-ASSY-TANK,FUEL (Ref # 51048)	51048-1127	1
GAUGE,FUEL (Ref # 52005)	52005-1121	1
CLAMP (Ref # 92037)	92037-1458	2
RING-O,FUEL TAP PACKING (Ref # 92055)	92055-1112	1
RING-O,TAP LEVER (Ref # 92055A)	92055-1419	1
DAMPER (Ref # 92075)	92075-1787	2
KNOB,FUEL TAP (Ref # 92077)	92077-1098	1
COLLAR,L=19.6 (Ref # 92143)	92143-1100	2
BOLT,6X14 (Ref # 92151)	92151-1198	2
DAMPER (Ref # 92160)	92160-1773	4
DAMPER (Ref # 92160A)	92160-1834	4
DAMPER (Ref # 92160B)	92160-1909	2
TUBE,5X9.4X450 (Ref # 92191)	92191-1107	1