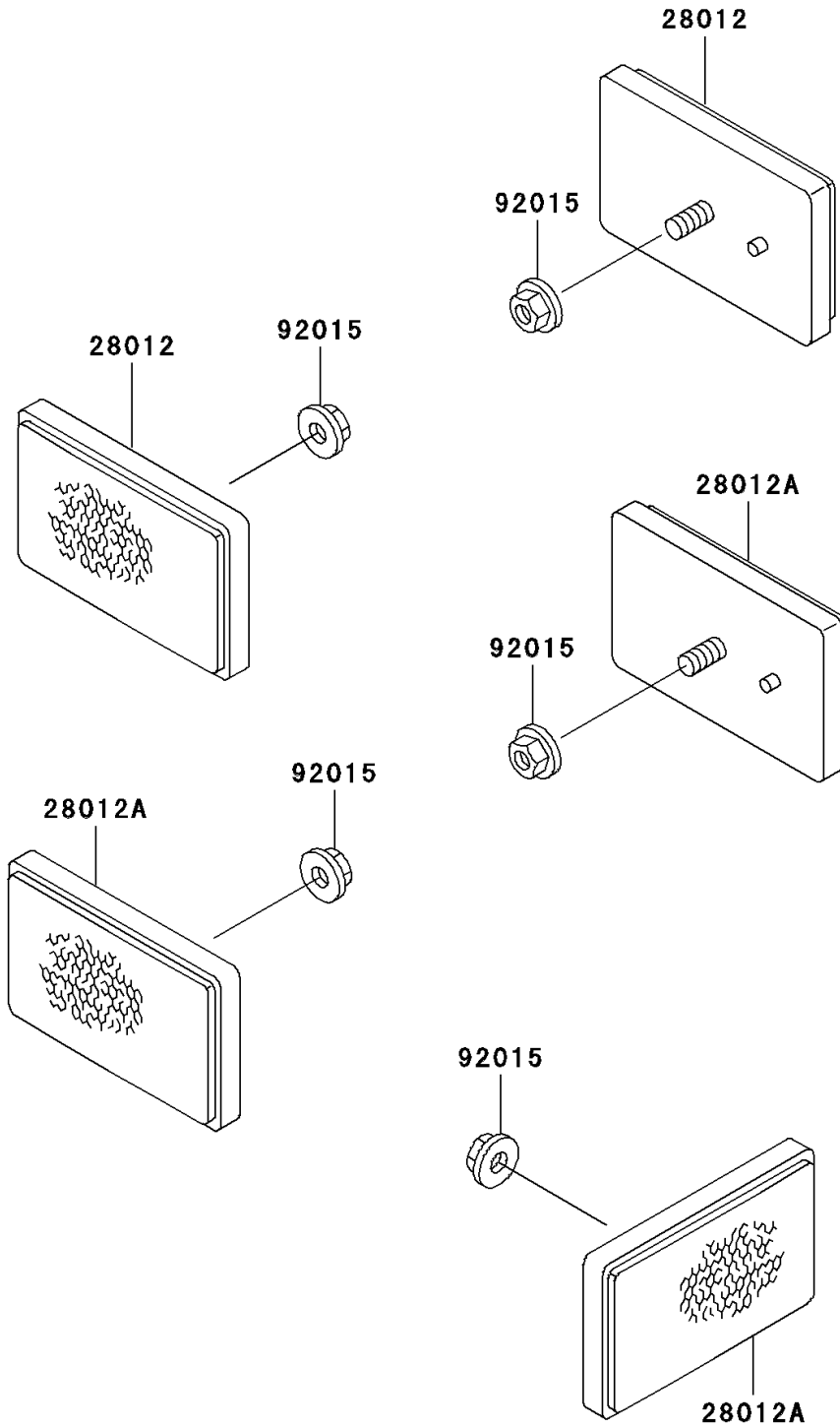


# 1999 Prairie 400 PARTS DIAGRAM

Reflectors(CN)

F2790



# 1999 Prairie 400 PARTS LIST

Reflectors(CN)

ITEM NAME	PART NUMBER	QUANTITY
REFLECTOR-REFLEX (Ref # 28012)	28012-1003	2
REFLECTOR-REFLEX (Ref # 28012A)	28012-1088	3
NUT,FLANGED,5MM (Ref # 92015)	92015-1259	5