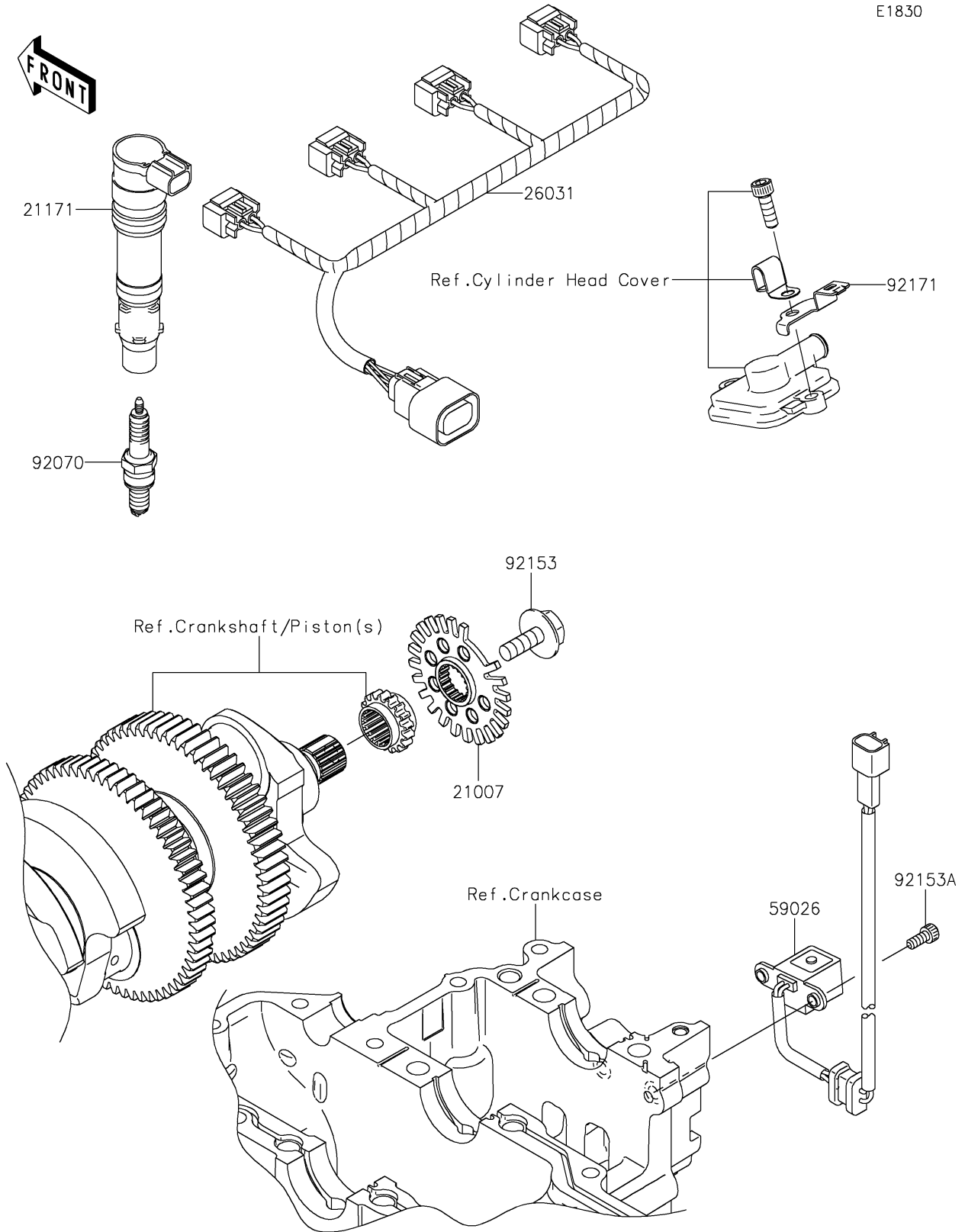


# 2019 CONCOURS®14 ABS PARTS DIAGRAM

## Ignition System

E1830



## 2019 CONCOURS®14 ABS PARTS LIST

### Ignition System

| ITEM NAME                            | PART NUMBER | QUANTITY |
|--------------------------------------|-------------|----------|
| ROTOR (Ref # 21007)                  | 21007-0066  | 1        |
| COIL-ASSY-IGNITION (Ref # 21171)     | 21171-0005  | 4        |
| HARNESS,SUB (Ref # 26031)            | 26031-0742  | 1        |
| COIL-PULSING (Ref # 59026)           | 59026-0041  | 1        |
| PLUG-SPARK,CR9EIA(NGK) (Ref # 92070) | 92070-0014  | 4        |
| BOLT,FLANGED,8X23 (Ref # 92153)      | 92153-0549  | 1        |
| BOLT,SOCKET,5X12 (Ref # 92153A)      | 92153-1293  | 2        |
| CLAMP (Ref # 92171)                  | 92171-0524  | 1        |