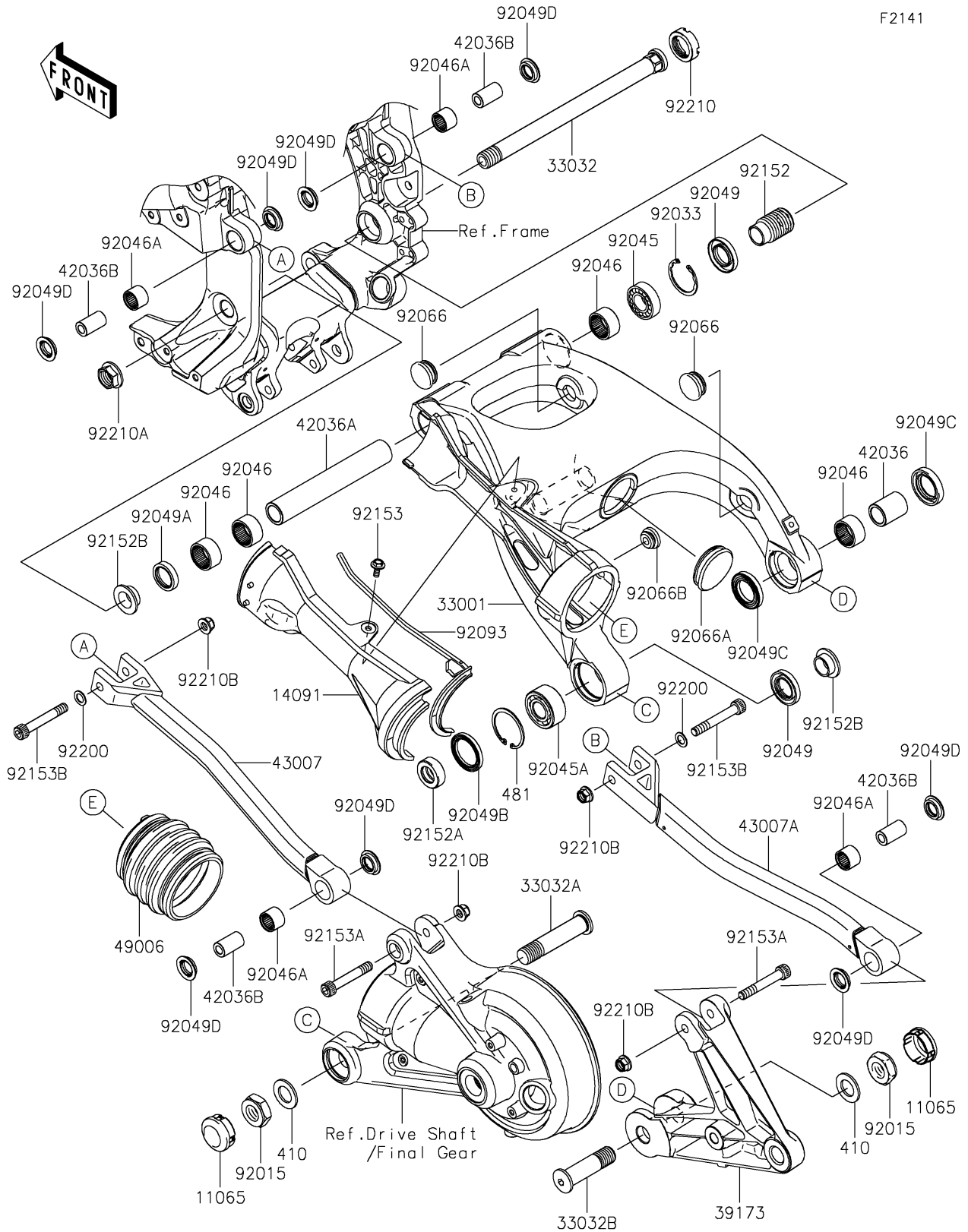


2017 Concours 14 ABS PARTS DIAGRAM

Swingarm



2017 Concours 14 ABS PARTS LIST

Swingarm

ITEM NAME	PART NUMBER	QUANTITY
CAP (Ref # 11065)	11065-0180	2
COVER,DRIVE SHAFT (Ref # 14091)	14091-1627	1
ARM-COMP-SWING,P.SILVER (Ref # 33001)	33001-0145-458	1
SHAFT-SWING ARM,PIVOT (Ref # 33032)	33032-0023	1
SHAFT-SWING ARM,REAR GEAR CASE (Ref # 33032A)	33032-0024	1
SHAFT-SWING ARM,AXLE BRACKET (Ref # 33032B)	33032-0025	1
BRACKET-AXLE,RH,P.SILVER (Ref # 39173)	39173-0070-458	1
WASHER-PLAIN-SMALL,20MM (Ref # 410)	410AA2000	2
SLEEVE,20.15X28X36 (Ref # 42036)	42036-0044	1
SLEEVE,20.15X28X178 (Ref # 42036A)	42036-0756	1
SLEEVE,10.1X18X32 (Ref # 42036B)	42036-1344	4
ROD-TORQUE,LH,P.SILVER (Ref # 43007)	43007-0012-458	1
ROD-TORQUE,RH,P.SILVER (Ref # 43007A)	43007-0013-458	1
CIRCLIP-TYPE-C,47MM (Ref # 481)	481J4700	1
BOOT,REAR GEAR CASE (Ref # 49006)	49006-0067	1
NUT,LOCK,20MM (Ref # 92015)	92015-1770	2
RING-SNAP,42MM (Ref # 92033)	92033-1041	1
BEARING-BALL,6004UL11 (Ref # 92045)	92045-0017	1
BEARING-BALL,#5204 (Ref # 92045A)	92045-0064	1
BEARING-NEEDLE,7E-HVS 28X34X17 (Ref # 92046)	92046-0008	4
BEARING-NEEDLE,SFYZM182417 (Ref # 92046A)	92046-1272	4
SEAL-OIL,MHSA25X42X6 (Ref # 92049)	92049-1314	2
SEAL-OIL,MHSA25X34X7 (Ref # 92049A)	92049-1352	1
SEAL-OIL,MHA 35X47X5 (Ref # 92049B)	92049-1381	1
SEAL-OIL (Ref # 92049C)	92049-1386	2
SEAL-OIL,KCR MF018N1 (Ref # 92049D)	92049-1493	8
PLUG (Ref # 92066)	92066-0084	2
PLUG (Ref # 92066A)	92066-0090	1
PLUG,17MM (Ref # 92066B)	92066-1320	1

2017 Concours 14 ABS PARTS LIST

Swingarm

ITEM NAME	PART NUMBER	QUANTITY
SEAL,DRIVE SHAFT COVER (Ref # 92093)	92093-0122	1
COLLAR,SWING ARM,RH,L=47 (Ref # 92152)	92152-0362	1
COLLAR (Ref # 92152A)	92152-0473	1
COLLAR,SWING ARM,L=12.5 (Ref # 92152B)	92152-1234	2
BOLT,UPSET-WP,6X16 (Ref # 92153)	92153-1587	1
BOLT,SOCKET,10X63 (Ref # 92153A)	92153-1943	2
BOLT,SOCKET,10X67 (Ref # 92153B)	92153-1944	2
WASHER,11X18X1 (Ref # 92200)	92200-0324	2
NUT,30MM (Ref # 92210)	92210-0134	1
NUT,FLANGED,20MM (Ref # 92210A)	92210-0320	1
NUT,LOCK,FLANGED,10MM (Ref # 92210B)	92210-1139	4