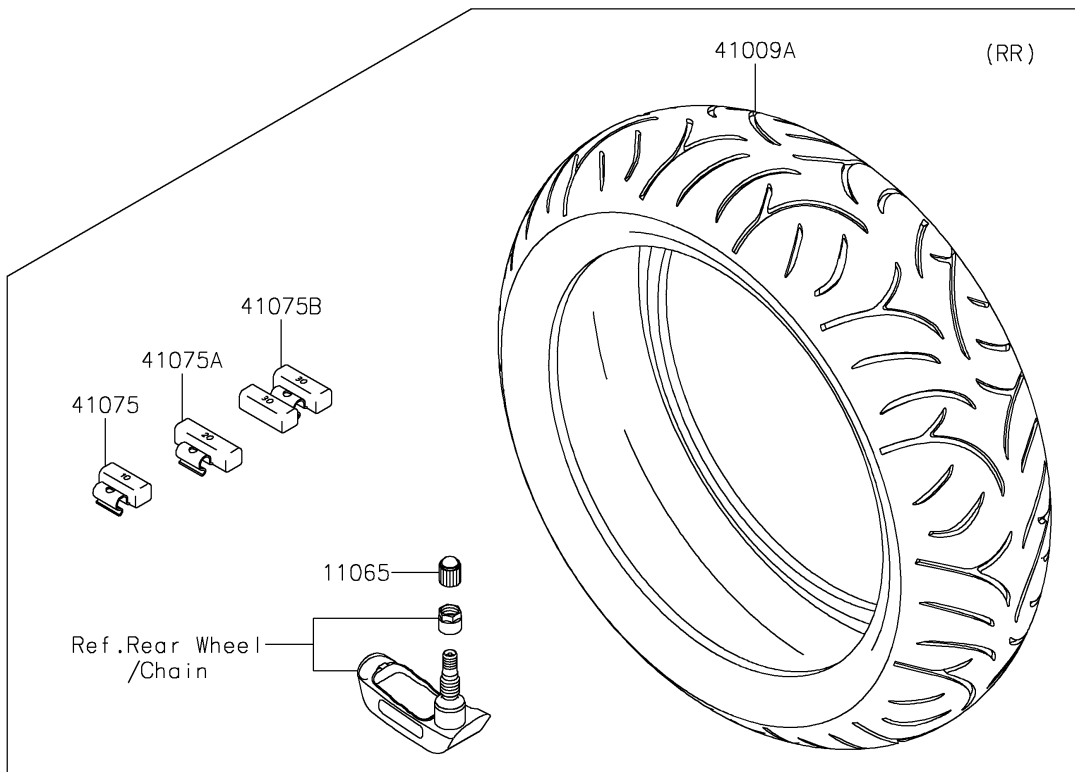
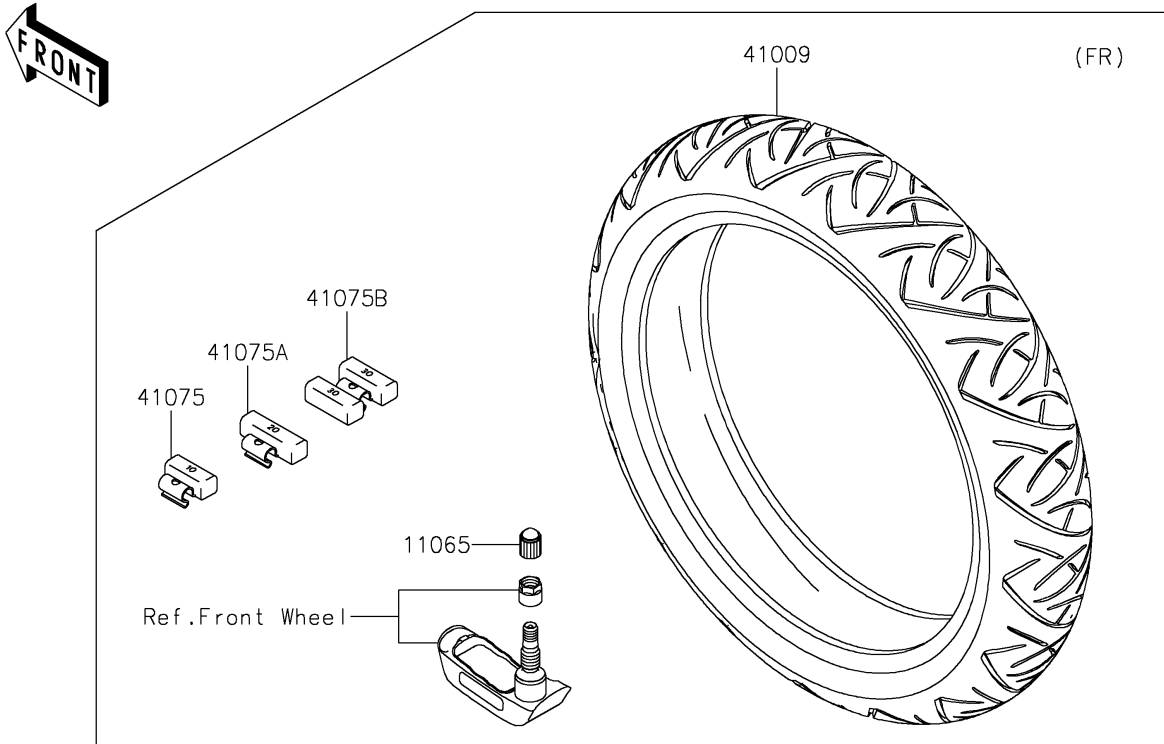


2016 CONCOURS®14 ABS PARTS DIAGRAM

Tires

F2210



2016 CONCOURS®14 ABS PARTS LIST

Tires

| ITEM NAME | PART NUMBER | QUANTITY |
|---|-------------|----------|
| CAP (Ref # 11065) | 11065-1112 | 2 |
| TIRE,FR,120/70ZR17(58W),BT021F (Ref # 41009) | 41009-0237 | 1 |
| TIRE,RR,190/50ZR17(73W),BT021R (Ref # 41009A) | 41009-0270 | 1 |
| BALANCER-WHEEL,10G,SILVER (Ref # 41075) | 41075-0007 | AR |
| BALANCER-WHEEL,20G,SILVER (Ref # 41075A) | 41075-0008 | AR |
| BALANCER-WHEEL,30G,SILVER (Ref # 41075B) | 41075-0017 | AR |