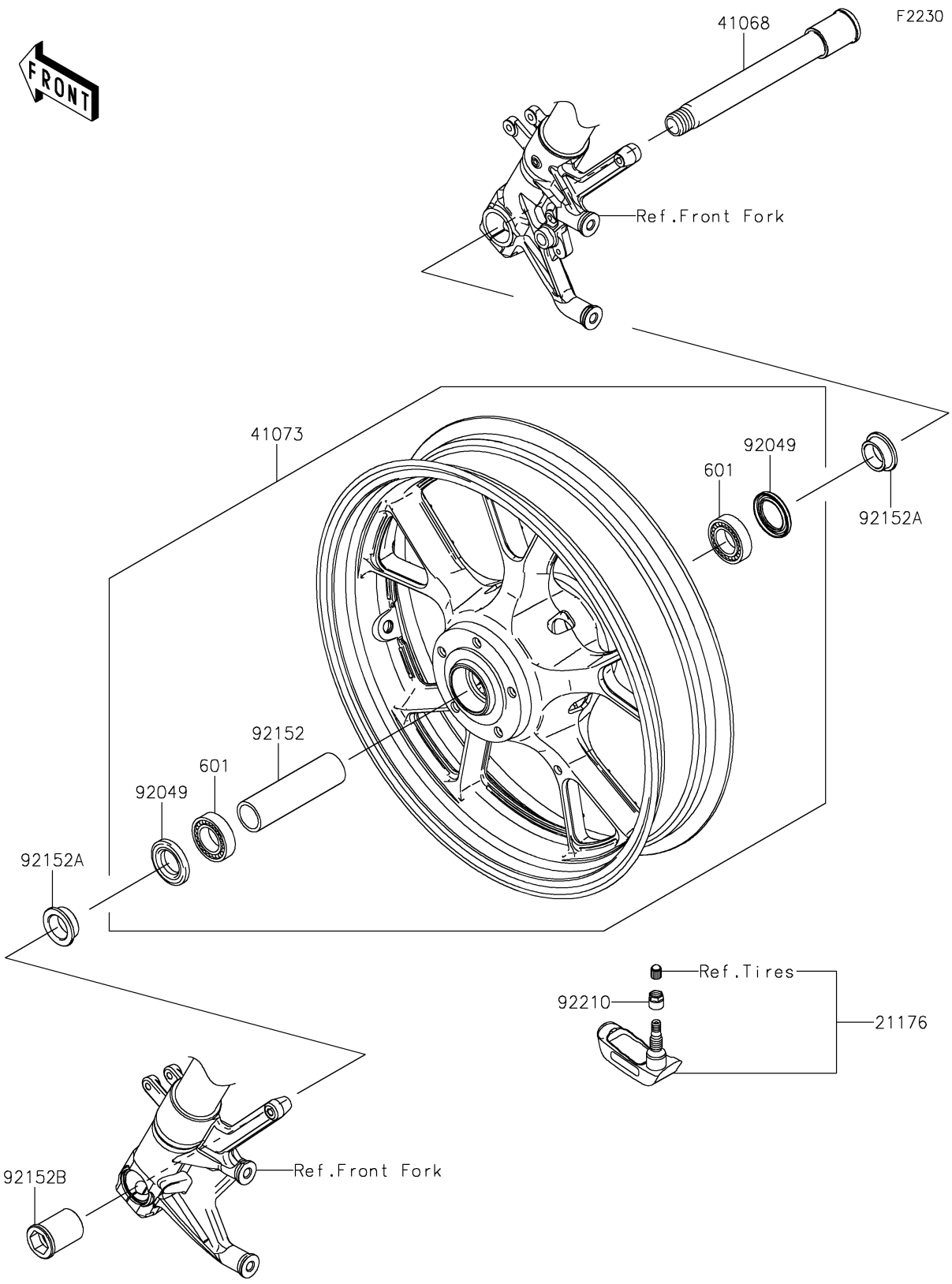


2015 CONCOURS®14 ABS PARTS DIAGRAM

Front Wheel



2015 CONCOURS®14 ABS PARTS LIST

Front Wheel

ITEM NAME	PART NUMBER	QUANTITY
-----------	-------------	----------