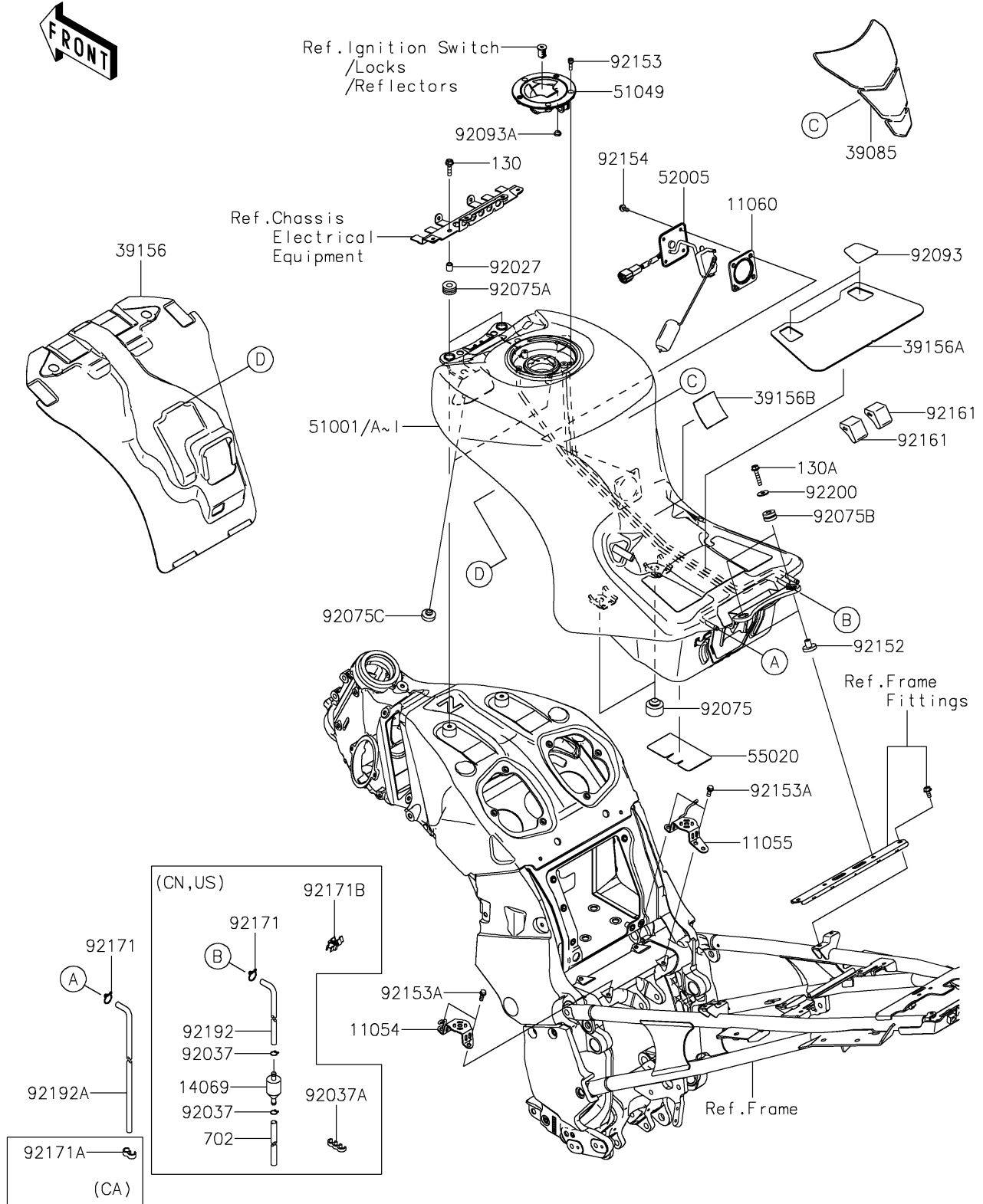


2015 CONCOURS®14 ABS PARTS DIAGRAM

Fuel Tank

F2410



2015 CONCOURS®14 ABS PARTS LIST

Fuel Tank

ITEM NAME	PART NUMBER	QUANTITY
-----------	-------------	----------