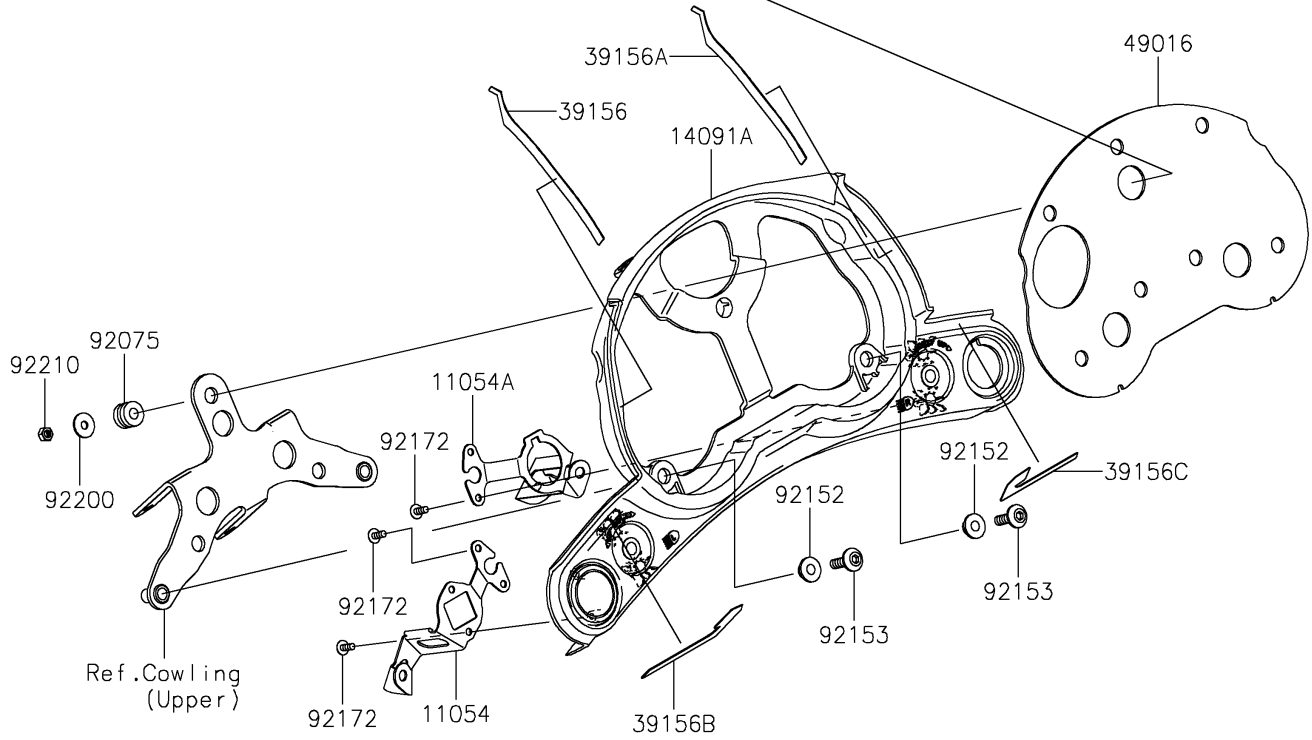
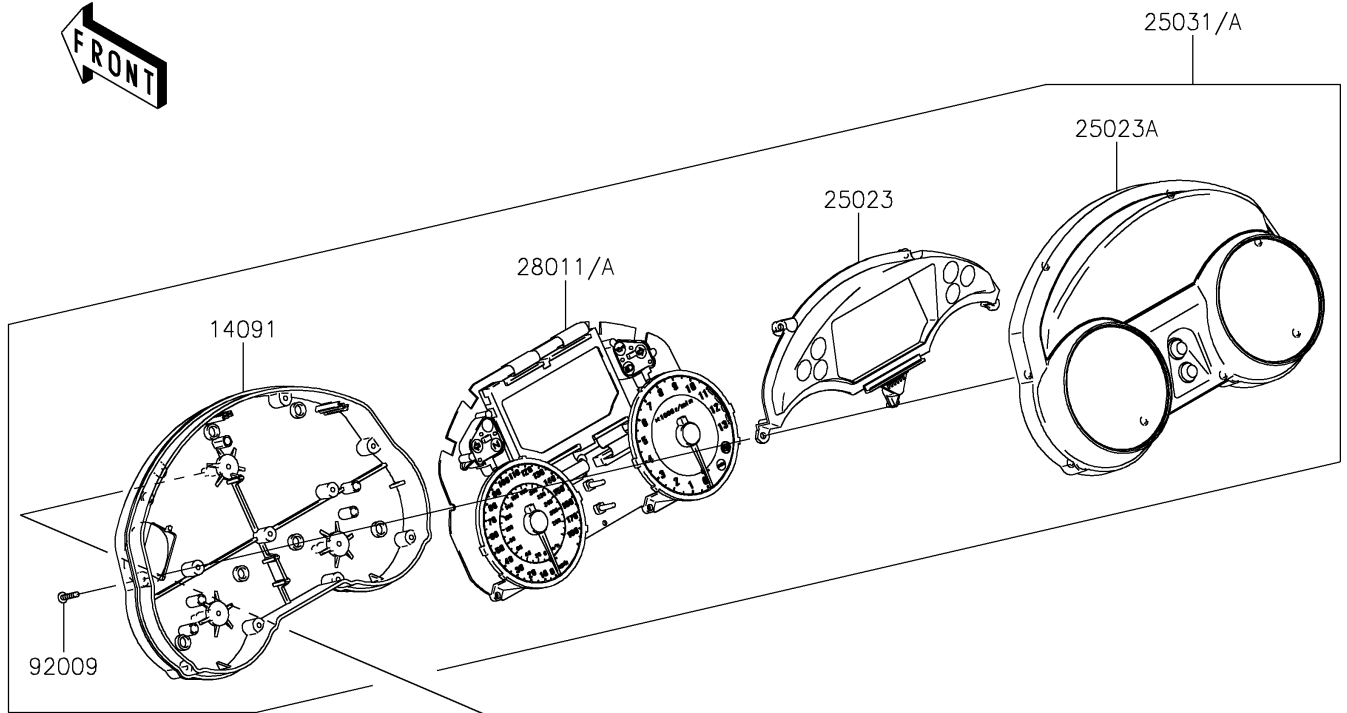


2015 CONCOURS®14 ABS PARTS DIAGRAM

Meter(s)

F2530



Ref. Cowling (Upper)

2015 CONCOURS®14 ABS PARTS LIST

Meter(s)

ITEM NAME	PART NUMBER	QUANTITY
-----------	-------------	----------