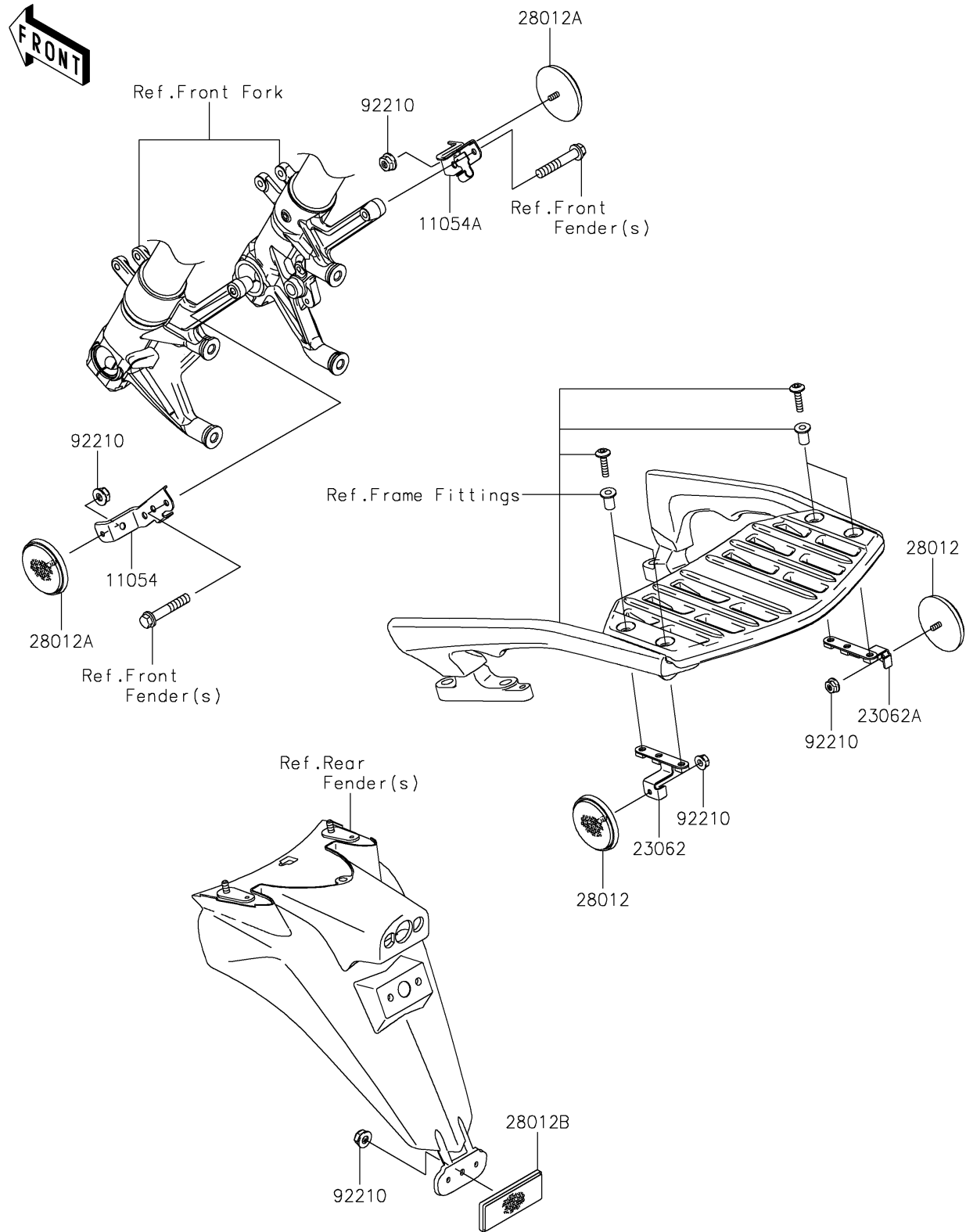


2015 CONCOURS®14 ABS PARTS DIAGRAM

Reflectors

F2790



2015 CONCOURS®14 ABS PARTS LIST

Reflectors

ITEM NAME	PART NUMBER	QUANTITY
-----------	-------------	----------