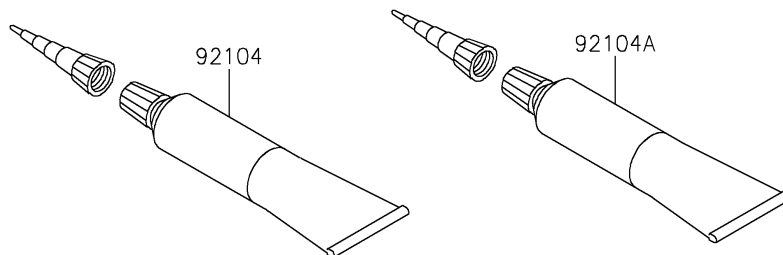
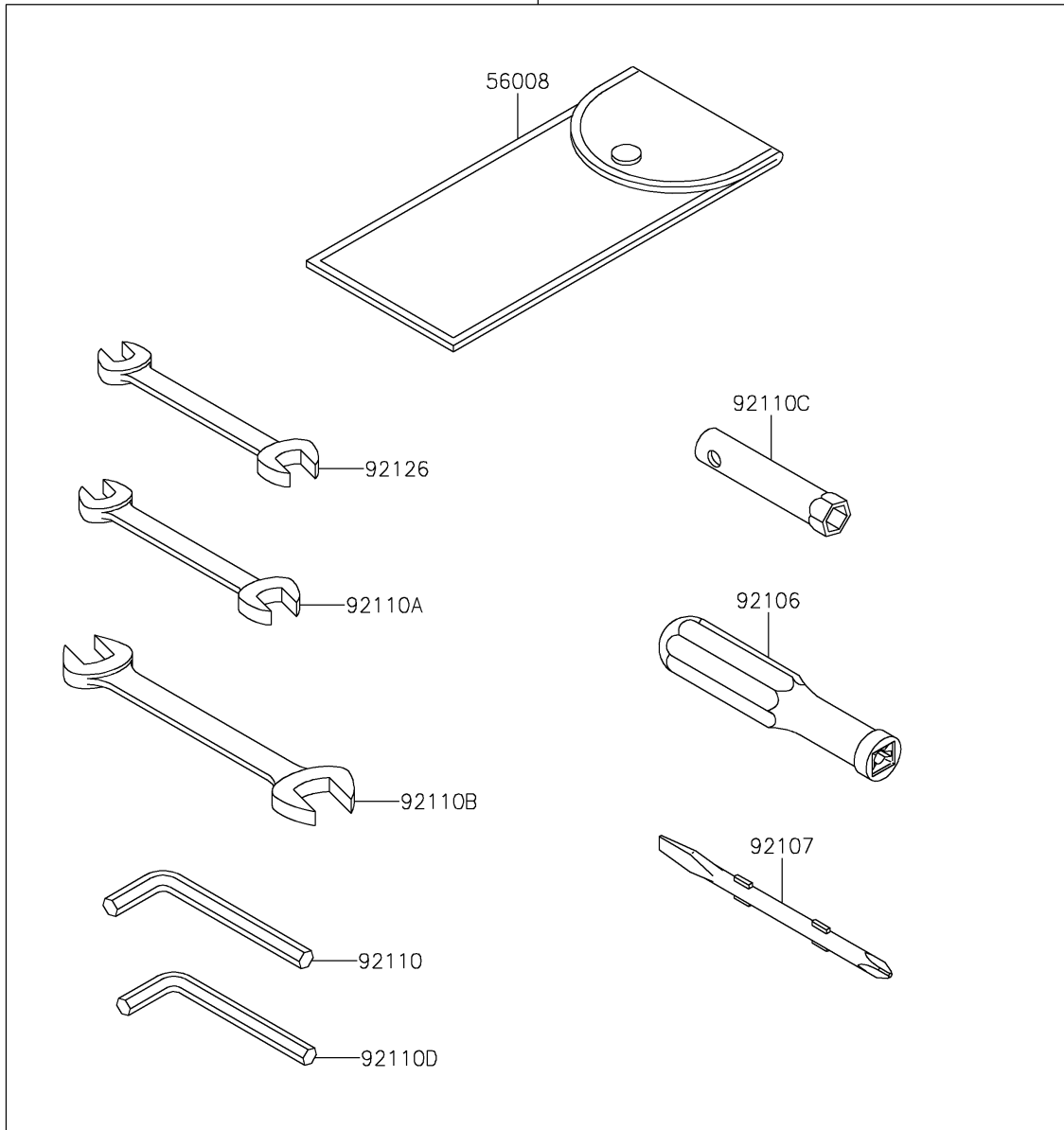


# 2015 CONCOURS®14 ABS PARTS DIAGRAM

Owner's Tools

56007

F2810



# 2015 CONCOURS®14 ABS PARTS LIST

Owner's Tools

ITEM NAME	PART NUMBER	QUANTITY
-----------	-------------	----------