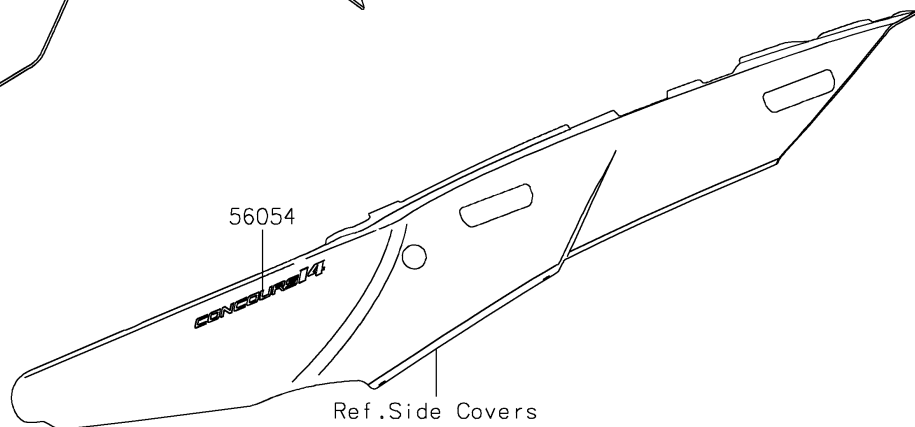
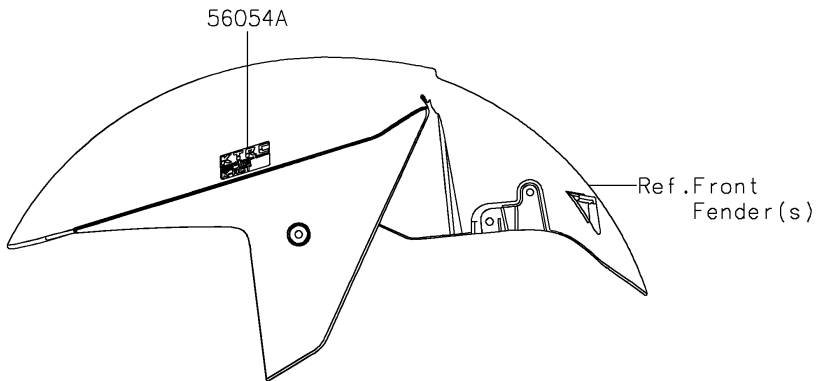
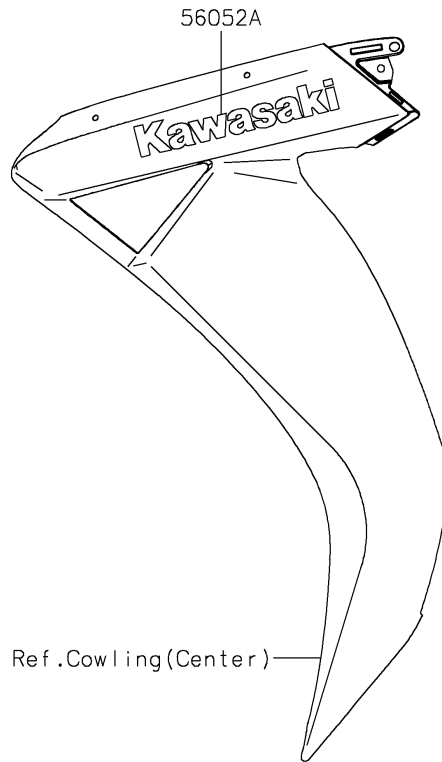
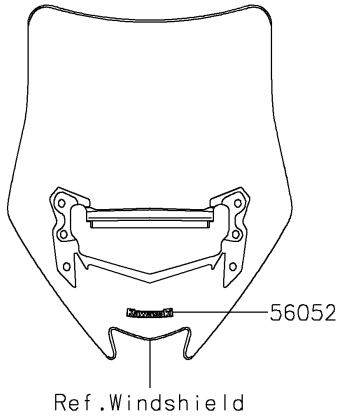


2016 CONCOURS®14 ABS PARTS DIAGRAM

Decals(Gray)(EGF)

F2861A



2016 CONCOURS®14 ABS PARTS LIST

Decals(Gray)(EGF)

ITEM NAME	PART NUMBER	QUANTITY
MARK,KAWASAKI (Ref # 56052)	56052-0819	1
MARK,SIDE COWLING,KAWASAKI (Ref # 56052A)	56052-0866	2
MARK,TAIL COVER,CONCOURS14 (Ref # 56054)	56054-0593	2
MARK,FRONT FENDER,KTRC (Ref # 56054A)	56054-0742	2