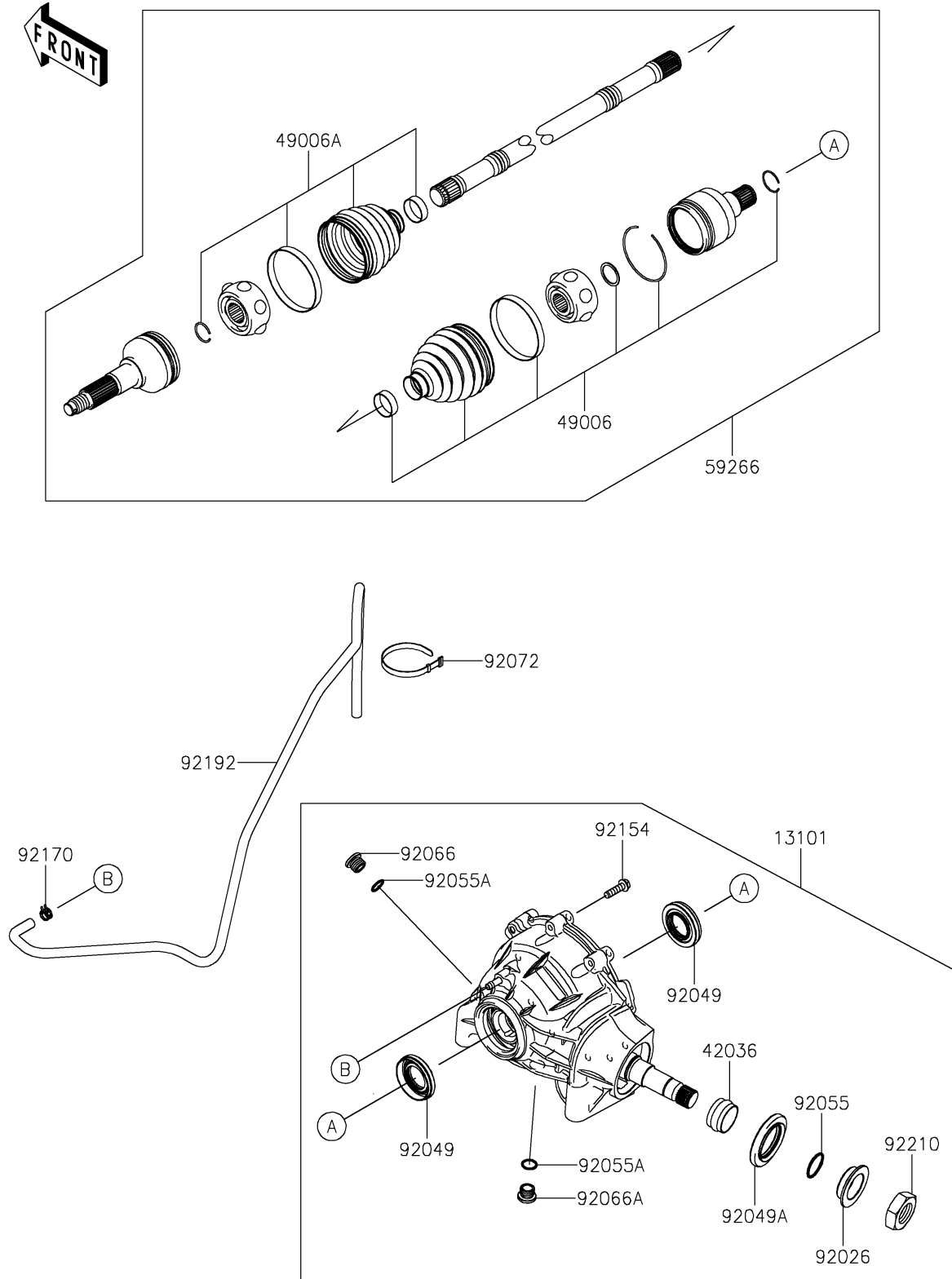


2019 MULE PRO-DXT™ EPS LE PARTS DIAGRAM

Drive Shaft-Front

E3136



2019 MULE PRO-DXT™ EPS LE PARTS LIST

Drive Shaft-Front

| ITEM NAME | PART NUMBER | QUANTITY |
|--|-------------|----------|
| GEAR-ASSY,FRONT DIFFERENTIAL (Ref # 13101) | 13101-0680 | 1 |
| SLEEVE (Ref # 42036) | 42036-0741 | 1 |
| BOOT,INSIDE (Ref # 49006) | 49006-0578 | 2 |
| BOOT,OUTSIDE (Ref # 49006A) | 49006-0584 | 2 |
| JOINT-BALL,FR (Ref # 59266) | 59266-0710 | 2 |
| SPACER (Ref # 92026) | 92026-0776 | 1 |
| SEAL-OIL,33X60X7 (Ref # 92049) | 92049-0760 | 2 |
| SEAL-OIL,44X72X7 (Ref # 92049A) | 92049-0766 | 1 |
| RING-O (Ref # 92055) | 92055-0788 | 1 |
| RING-O,15.3X2.2 (Ref # 92055A) | 92055-0830 | 2 |
| PLUG (Ref # 92066) | 92066-0777 | 1 |
| PLUG (Ref # 92066A) | 92066-0778 | 1 |
| BAND,L=186 (Ref # 92072) | 92072-056 | 1 |
| BOLT,FLANGED,8X30 (Ref # 92154) | 92154-1370 | 10 |
| CLAMP (Ref # 92170) | 92170-2082 | 1 |
| TUBE,BREATHER (Ref # 92192) | 92192-1341 | 1 |
| NUT (Ref # 92210) | 92210-0894 | 1 |