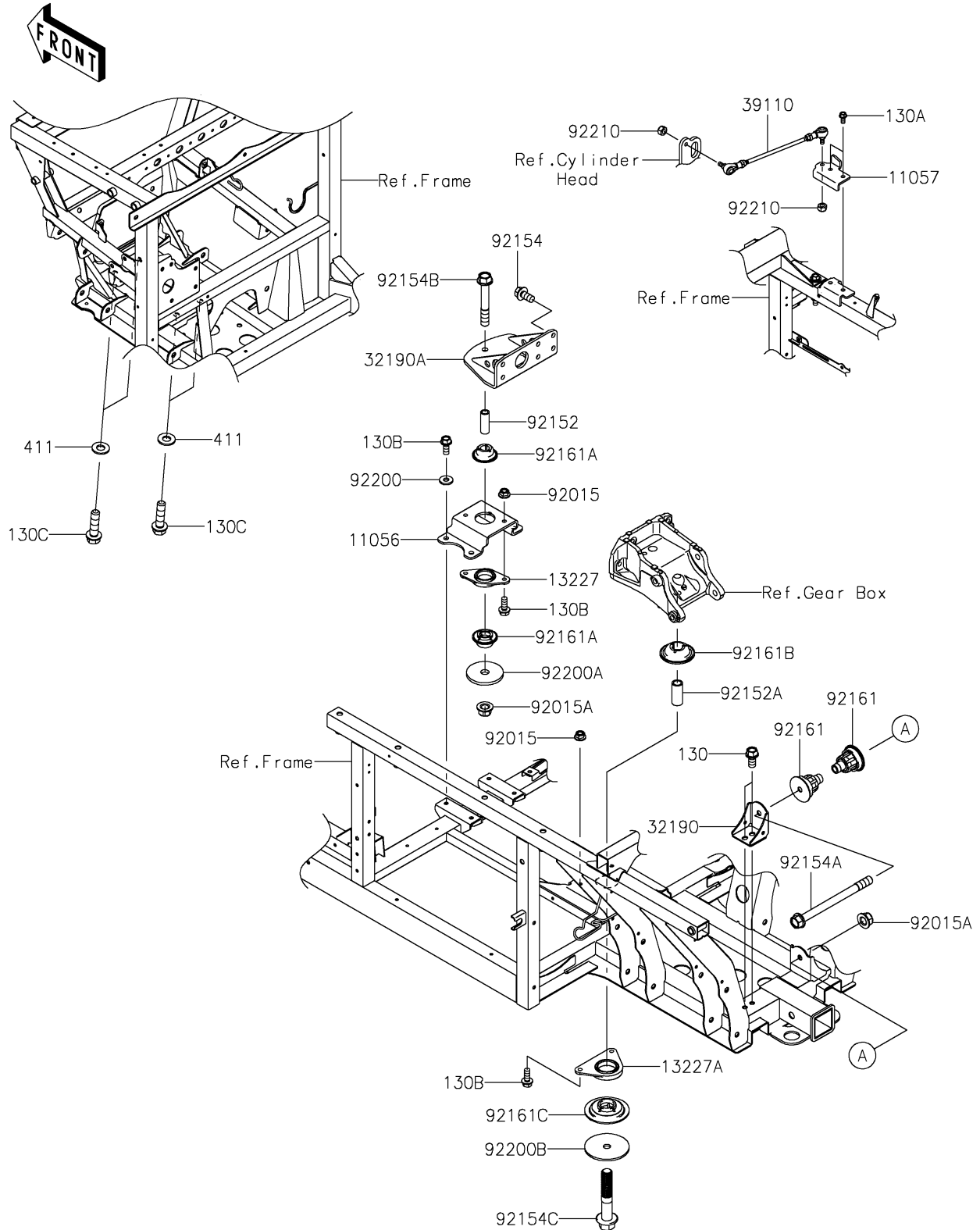


# 2019 MULE PRO-DXT™ EPS LE PARTS DIAGRAM

Engine Mount

F2122



## 2019 MULE PRO-DXT™ EPS LE PARTS LIST

### Engine Mount

| ITEM NAME                            | PART NUMBER | QUANTITY |
|--------------------------------------|-------------|----------|
| BRACKET (Ref # 11056)                | 11056-7475  | 1        |
| BRACKET,TORQUE ROD (Ref # 11057)     | 11057-1233  | 1        |
| BOLT-FLANGED,10X20 (Ref # 130)       | 130BA1020   | 2        |
| BOLT-FLANGED,8X18 (Ref # 130A)       | 130CA0818   | 2        |
| BOLT-FLANGED,8X20 (Ref # 130B)       | 130CA0820   | 8        |
| BOLT-FLANGED,12X45 (Ref # 130C)      | 130CA1245   | 4        |
| HOUSING (Ref # 13227)                | 13227-0031  | 1        |
| HOUSING (Ref # 13227A)               | 13227-0032  | 1        |
| BRACKET-ENGINE (Ref # 32190)         | 32190-0662  | 1        |
| BRACKET-ENGINE,FR (Ref # 32190A)     | 32190-0701  | 1        |
| ROD-ASSY-TIE (Ref # 39110)           | 39110-0046  | 1        |
| WASHER-PLAIN,12MM (Ref # 411)        | 411AA1200   | 4        |
| NUT,LOCK,FLANGED,8MM (Ref # 92015)   | 92015-1397  | 4        |
| NUT,LOCK,FLANGED,12MM (Ref # 92015A) | 92015-1433  | 2        |
| COLLAR,13X19.1X54 (Ref # 92152)      | 92152-1802  | 1        |
| COLLAR,17X23.8X54.5 (Ref # 92152A)   | 92152-2127  | 1        |
| BOLT,FLANGED,10X20 (Ref # 92154)     | 92154-1321  | 6        |
| BOLT,FLANGED,12X150 (Ref # 92154A)   | 92154-1322  | 1        |
| BOLT,FLANGED,12X80 (Ref # 92154B)    | 92154-1419  | 1        |
| BOLT,FLANGED,16X86 (Ref # 92154C)    | 92154-1763  | 1        |
| DAMPER (Ref # 92161)                 | 92161-1616  | 2        |
| DAMPER (Ref # 92161A)                | 92161-1617  | 2        |
| DAMPER (Ref # 92161B)                | 92161-1618  | 1        |
| DAMPER (Ref # 92161C)                | 92161-1619  | 1        |
| WASHER,8.2X20.0X2.5 (Ref # 92200)    | 92200-0205  | 4        |
| WASHER,12.5X55X4.76 (Ref # 92200A)   | 92200-0913  | 1        |
| WASHER,16.5X100X4.76 (Ref # 92200B)  | 92200-1747  | 1        |
| NUT,LOCK,8MM (Ref # 92210)           | 92210-0606  | 2        |