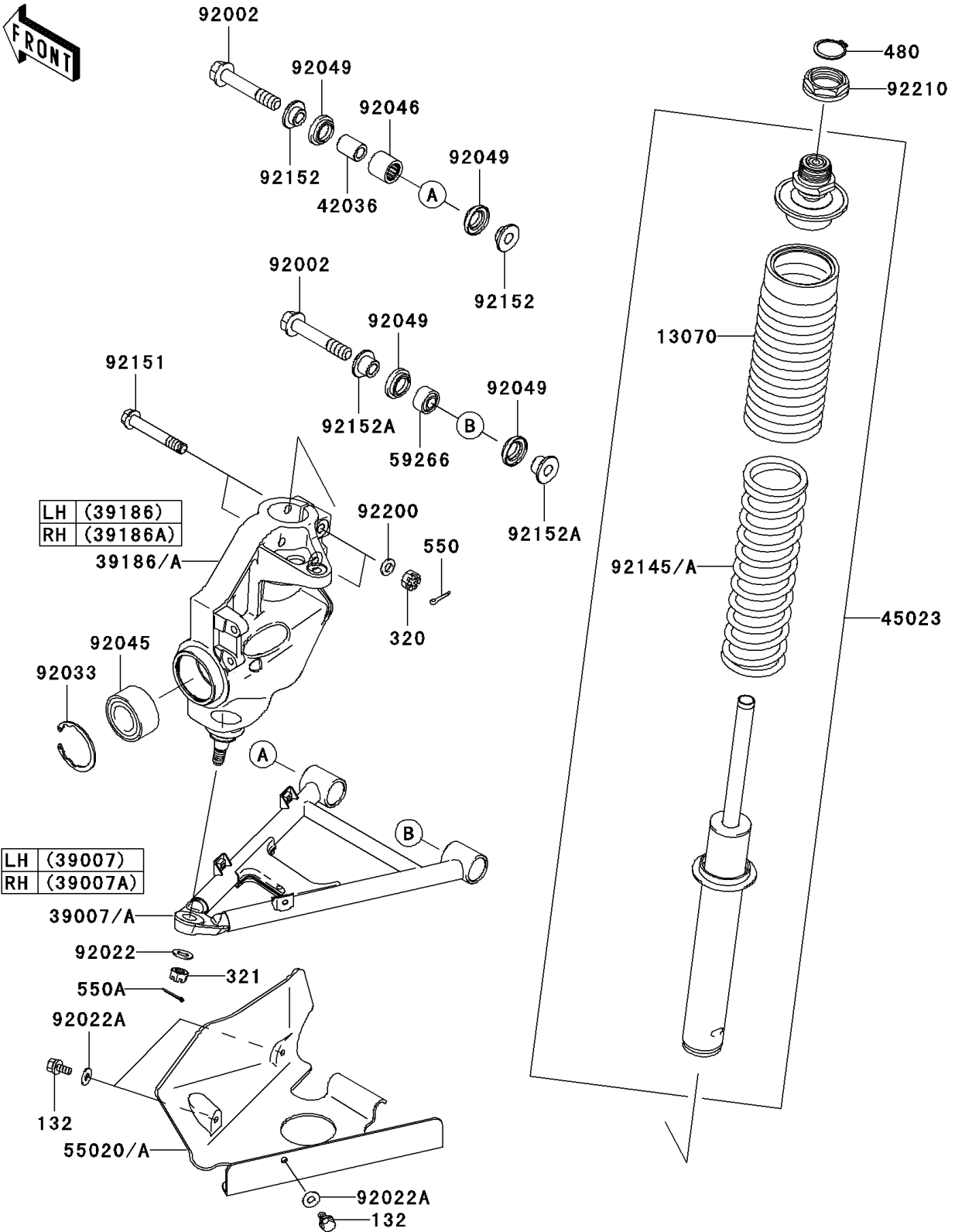


# 2003 Prairie 650 4X4 PARTS DIAGRAM

Suspension

F2150



## 2003 Prairie 650 4X4 PARTS LIST

### Suspension

ITEM NAME	PART NUMBER	QUANTITY
BOLT-FLANGED-SMALL,6X12 (Ref # 132)	132J0612	6
NUT-CASTLE (Ref # 320)	320H1000	4
NUT-CASTLE,12MM (Ref # 321)	321H1200	2
CIRCLIP-TYPE-C,32MM (Ref # 480)	480J3200	2
PIN-COTTER,2.0X15 (Ref # 550)	550D2015	4
PIN-COTTER,3.0X25 (Ref # 550A)	550D3025	2
GUIDE,STRUT (Ref # 13070)	13070-1383	2
ARM-SUSP,LH (Ref # 39007)	39007-0058	1
ARM-SUSP,RH (Ref # 39007A)	39007-0059	1
KNUCKLE ASSY,FR,LH (Ref # 39186)	39186-0041	1
KNUCKLE ASSY,FR,RH (Ref # 39186A)	39186-0042	1
SLEEVE,12X20X26.7 (Ref # 42036)	42036-1365	2
STRUT (Ref # 45023)	45023-1014	2
GUARD,FRONT AXLE,LH (Ref # 55020)	55020-1768	1
GUARD,FRONT AXLE,RH (Ref # 55020A)	55020-1769	1
JOINT-BALL (Ref # 59266)	59266-1118	2
BOLT,FLANGED,12X67 (Ref # 92002)	92002-1861	4
WASHER,12.3X22X1.6 (Ref # 92022)	92022-1065	2
WASHER,7X16X1.2 (Ref # 92022A)	92022-1344	6
RING-SNAP,55MM (Ref # 92033)	92033-1274	2
BEARING-BALL,30BWD08A (Ref # 92045)	92045-1448	2
BEARING-NEEDLE,TA202725ZE (Ref # 92046)	92046-1290	2
SEAL-OIL,MF020N3 (Ref # 92049)	92049-1539	8
SPRING,STRUT,K=10.8N/MM (Ref # 92145)	92145-0009	2
SPRING,STRUT,K=9.81N/MM (Ref # 92145A)	92145-1445	2
BOLT,FLANGED,10X65 (Ref # 92151)	92151-1709	4
COLLAR (Ref # 92152)	92152-1295	4
COLLAR (Ref # 92152A)	92152-1296	4
WASHER,10.5X19X2.3 (Ref # 92200)	92200-1042	4

## 2003 Prairie 650 4X4 PARTS LIST

### Suspension

ITEM NAME	PART NUMBER	QUANTITY
NUT,FLANGED,35MM (Ref # 92210)	92210-1226	2