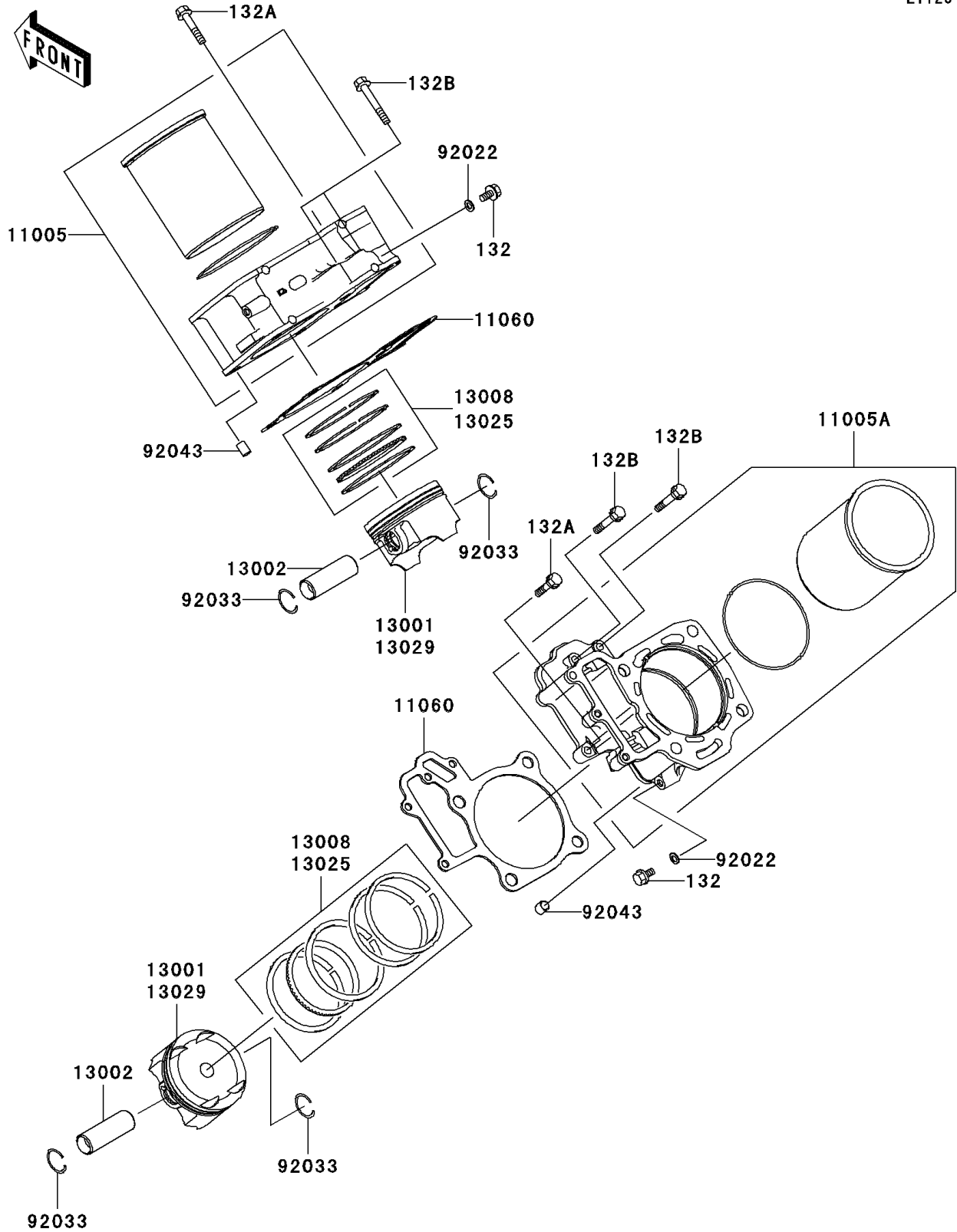


# 2003 Prairie 650 4X4 Advantage Classic PARTS DIAGRAM

Cylinder/Piston(s)

E1120



## 2003 Prairie 650 4X4 Advantage Classic PARTS LIST

Cylinder/Piston(s)

| ITEM NAME                                | PART NUMBER | QUANTITY |
|--|-------------|----------|
| BOLT-FLANGED-SMALL (Ref # 132)           | 132Y0612    | 2        |
| BOLT-FLANGED-SMALL (Ref # 132A)          | 132Y0630    | 2        |
| BOLT-FLANGED-SMALL (Ref # 132B)          | 132Y0640    | 4        |
| CYLINDER-ENGINE,FR (Ref # 11005)         | 11005-1918  | 1        |
| CYLINDER-ENGINE,RR (Ref # 11005A)        | 11005-1920  | 1        |
| GASKET,CYLINDER BASE (Ref # 11060)       | 11060-1965  | 2        |
| PISTON-ENGINE (Ref # 13001)              | 13001-1574  | 2        |
| PIN-PISTON (Ref # 13002)                 | 13002-1060  | 2        |
| RING-SET-PISTON (Ref # 13008)            | 13008-1198  | 2        |
| RING-SET-PISTON L,O/S 0.50 (Ref # 13025) | 13025-0001  | AR       |
| PISTON-ENGINE L,O/S 0.50 (Ref # 13029)   | 13029-0001  | AR       |
| WASHER,6.2X11X1 (Ref # 92022)            | 92022-304   | 2        |
| RING-SNAP (Ref # 92033)                  | 92033-1207  | 4        |
| PIN,10.1X12X14 (Ref # 92043)             | 92043-4009  | 4        |