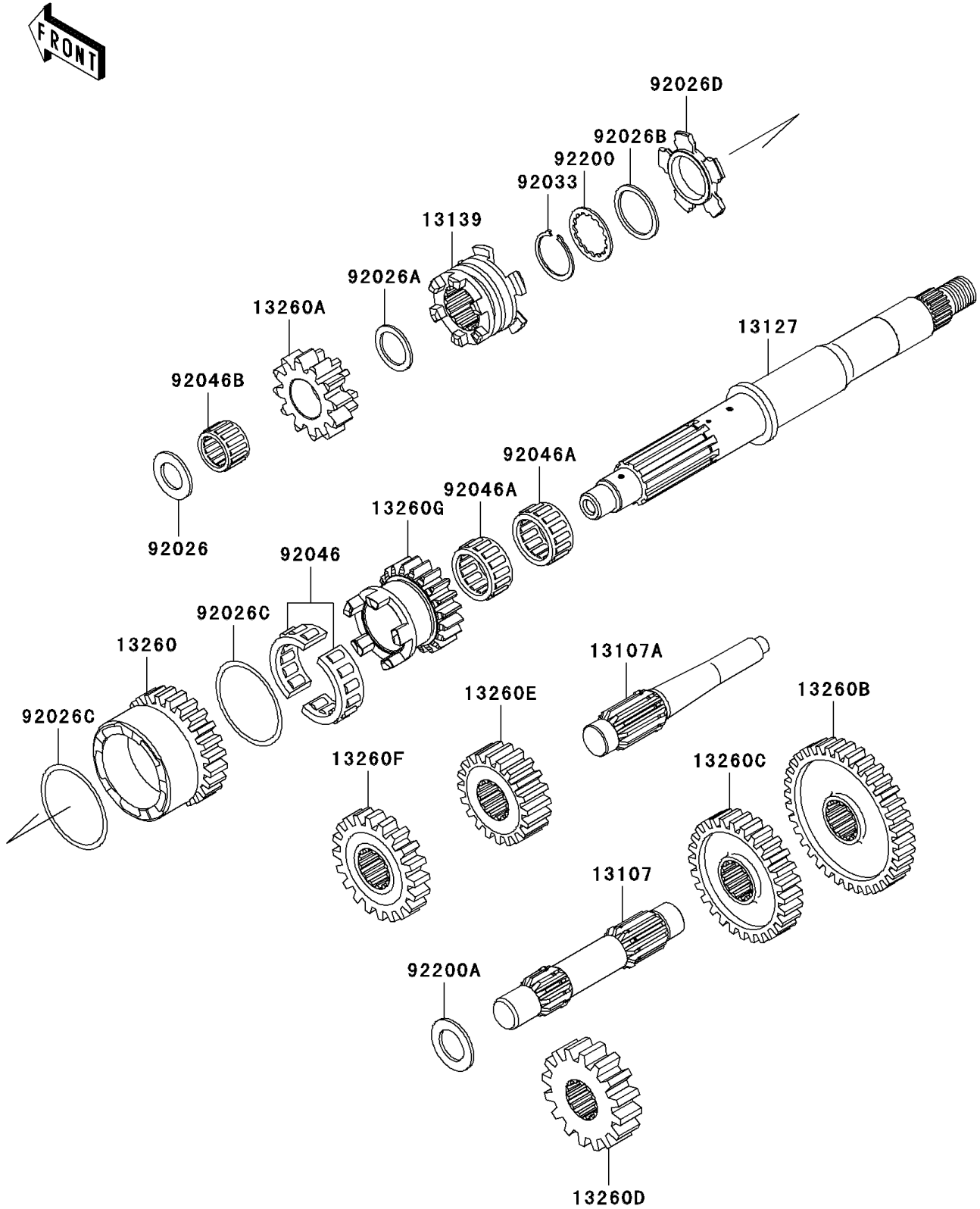


2003 Prairie 650 4X4 Advantage Classic PARTS DIAGRAM

Transmission

E1361



2003 Prairie 650 4X4 Advantage Classic PARTS LIST

Transmission

ITEM NAME	PART NUMBER	QUANTITY
SHAFT,OUTPUT (Ref # 13107)	13107-1436	1
SHAFT,REVERSE,IDLE (Ref # 13107A)	13107-1437	1
SHAFT-TRANSMISSION INPUT (Ref # 13127)	13127-1304	1
SHIFTER (Ref # 13139)	13139-1096	1
GEAR,INPUT HIGH,26T (Ref # 13260)	13260-1867	1
GEAR,INPUT REVERSE,12T (Ref # 13260A)	13260-1868	1
GEAR,DRIVEN LOW,36T (Ref # 13260B)	13260-1869	1
GEAR,DRIVEN HIGH,30T (Ref # 13260C)	13260-1870	1
GEAR,OUTPUT DRIVE,18T (Ref # 13260D)	13260-1871	1
GEAR,OUTPUT REVERSE,16T (Ref # 13260E)	13260-1872	1
GEAR,DRIVEN REVERSE,16T (Ref # 13260F)	13260-1873	1
GEAR,INPUT LOW,20T (Ref # 13260G)	13260-1935	1
SPACER,17.3X30X2.0 (Ref # 92026)	92026-1415	1
SPACER,21.2X29X1.6 (Ref # 92026A)	92026-1568	1
SPACER,28.2X34.5X1.6 (Ref # 92026B)	92026-1587	1
SPACER,48.2X54.3X1.0 (Ref # 92026C)	92026-1599	2
SPACER,HI&LOW (Ref # 92026D)	92026-1600	1
RING-SNAP,T=1.2 (Ref # 92033)	92033-1037	1
BEARING-NEEDLE,HIGH GEAR (Ref # 92046)	92046-1276	1
BEARING-NEEDLE,LOW GEAR (Ref # 92046A)	92046-1278	2
BEARING-NEEDLE,REVERSE GEAR (Ref # 92046B)	92046-1279	1
WASHER,T=1.5 (Ref # 92200)	92200-1240	1
WASHER,20.3X33X2.0 (Ref # 92200A)	92200-1351	1