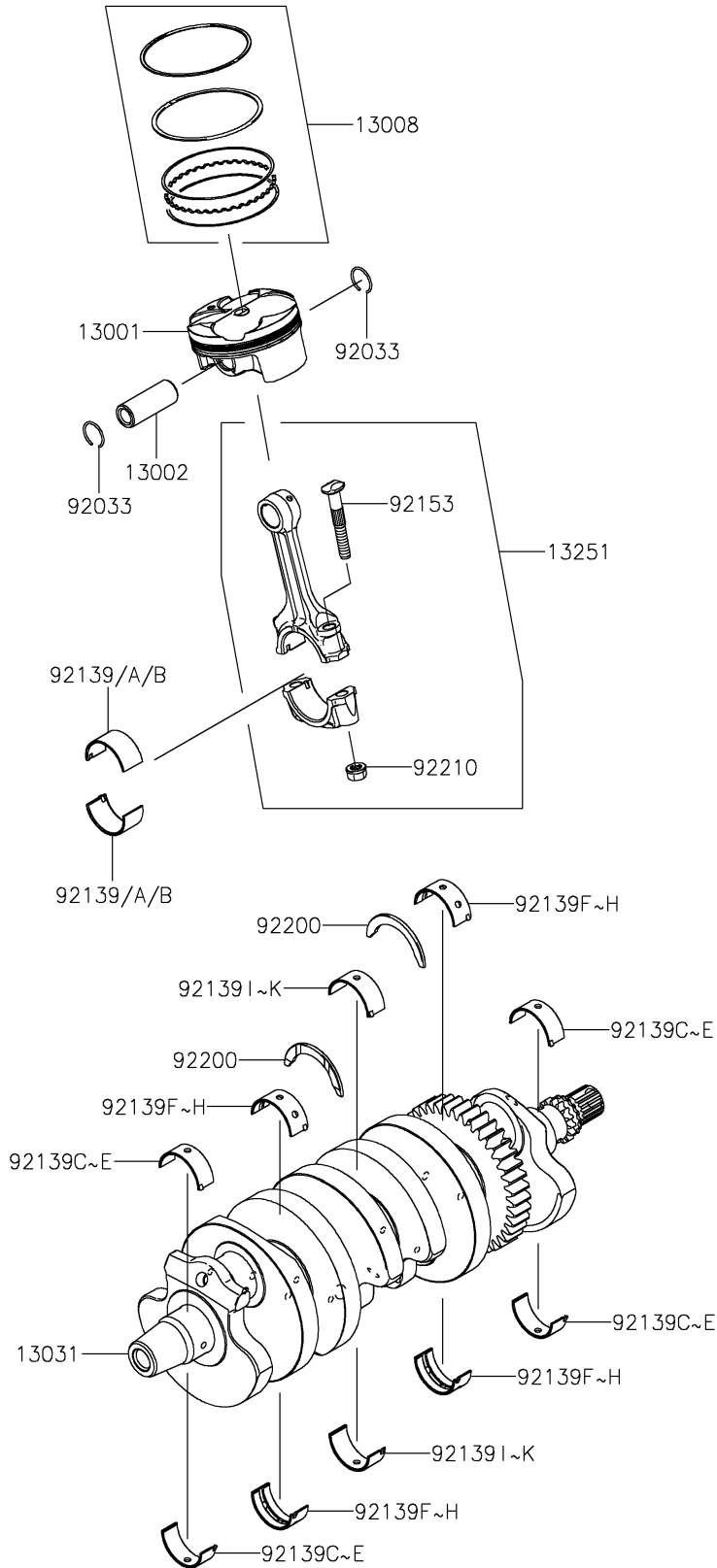


# 2017 NINJA® ZX™ -6R ABS PARTS DIAGRAM

Crankshaft/Piston(s)

E1320



## 2017 NINJA® ZX™ -6R ABS PARTS LIST

### Crankshaft/Piston(s)

| ITEM NAME                                | PART NUMBER   | QUANTITY |
|------------------------------------------|---------------|----------|
| PISTON-ENGINE (Ref # 13001)              | 13001-0735    | 4        |
| PIN-PISTON (Ref # 13002)                 | 13002-0037    | 4        |
| RING-SET-PISTON (Ref # 13008)            | 13008-0035    | 4        |
| CRANKSHAFT-COMP (Ref # 13031)            | 13031-0754    | 1        |
| ROD-ASSY-CONNECTING,I (Ref # 13251)      | 13251-0717-II | 4        |
| RING-SNAP,PISTON PIN (Ref # 92033)       | 92033-1151    | 8        |
| BUSHING,CRANK PIN,BLUE (Ref # 92139)     | 92139-0165    | AR       |
| BUSHING,CRANK PIN,BLACK (Ref # 92139A)   | 92139-0166    | 8        |
| BUSHING,CRANK PIN,BROWN (Ref # 92139B)   | 92139-0167    | AR       |
| BUSHING,CRANK #1&#5,BLUE (Ref # 92139C)  | 92139-0245    | AR       |
| BUSHING,CRANK #1&#5,BLACK (Ref # 92139D) | 92139-0246    | 4        |
| BUSHING,CRANK #1&#5,BROWN (Ref # 92139E) | 92139-0247    | AR       |
| BUSHING,CRANK #2&#4,BLUE (Ref # 92139F)  | 92139-0248    | AR       |
| BUSHING,CRANK #2&#4,BLACK (Ref # 92139G) | 92139-0249    | 4        |
| BUSHING,CRANK #2&#4,BROWN (Ref # 92139H) | 92139-0250    | AR       |
| BUSHING,CRANK #3,PURPLE (Ref # 92139I)   | 92139-0251    | AR       |
| BUSHING,CRANK #3,GREEN (Ref # 92139J)    | 92139-0252    | 2        |
| BUSHING,CRANK #3,YELLOW (Ref # 92139K)   | 92139-0253    | AR       |
| BOLT,7MM (Ref # 92153)                   | 92153-1172    | 8        |
| WASHER,T=2.5 (Ref # 92200)               | 92200-0383    | 2        |
| NUT,CONNECTING ROD,7MM (Ref # 92210)     | 92210-0384    | 8        |