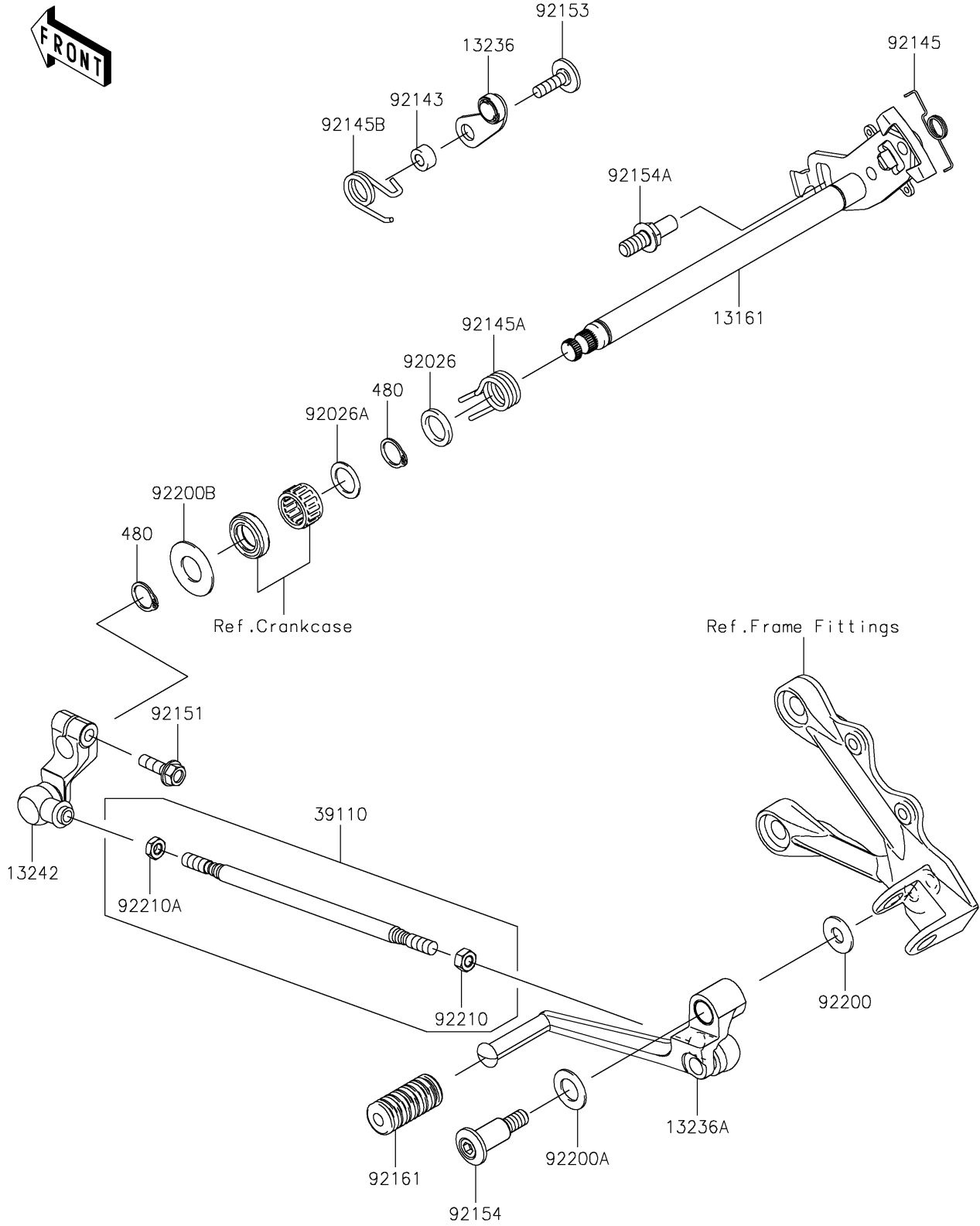


2017 Ninja ZX-6R ABS KRT Edition PARTS DIAGRAM

Gear Change Mechanism

E1370



2017 Ninja ZX-6R ABS KRT Edition PARTS LIST

Gear Change Mechanism

ITEM NAME	PART NUMBER	QUANTITY
LEVER-COMP-CHANGE SHAFT (Ref # 13161)	13161-0054	1
LEVER-COMP,POSITION (Ref # 13236)	13236-0114	1
LEVER-COMP,CHANGE PEDAL (Ref # 13236A)	13236-0723	1
LEVER-ASSY-CHANGE (Ref # 13242)	13242-0093	1
ROD-ASSY-TIE (Ref # 39110)	39110-0021	1
CIRCLIP-TYPE-C,14MM (Ref # 480)	480J1400	2
SPACER,14X20X2.3 (Ref # 92026)	92026-0107	1
SPACER,14X20X1.0 (Ref # 92026A)	92026-1534	1
COLLAR (Ref # 92143)	92143-1595	1
SPRING (Ref # 92145)	92145-0414	1
SPRING,RETURN (Ref # 92145A)	92145-0415	1
SPRING,DRUM POSITION (Ref # 92145B)	92145-0717	1
BOLT,FLANGED,6X20 (Ref # 92151)	92151-1226	1
BOLT,6X20 (Ref # 92153)	92153-1505	1
BOLT,SOCKET,8X37 (Ref # 92154)	92154-0109	1
BOLT,RETURN SPRING (Ref # 92154A)	92154-1838	1
DAMPER,CHANGE PEDAL (Ref # 92161)	92161-1300	1
WASHER,8.5X20X1.5 (Ref # 92200)	92200-0198	1
WASHER,12.5X22X1.2 (Ref # 92200A)	92200-0199	1
WASHER (Ref # 92200B)	92200-0265	1
NUT,6MM (Ref # 92210)	92210-1100	1
NUT,LEFT HANDED,6MM (Ref # 92210A)	92210-1101	1