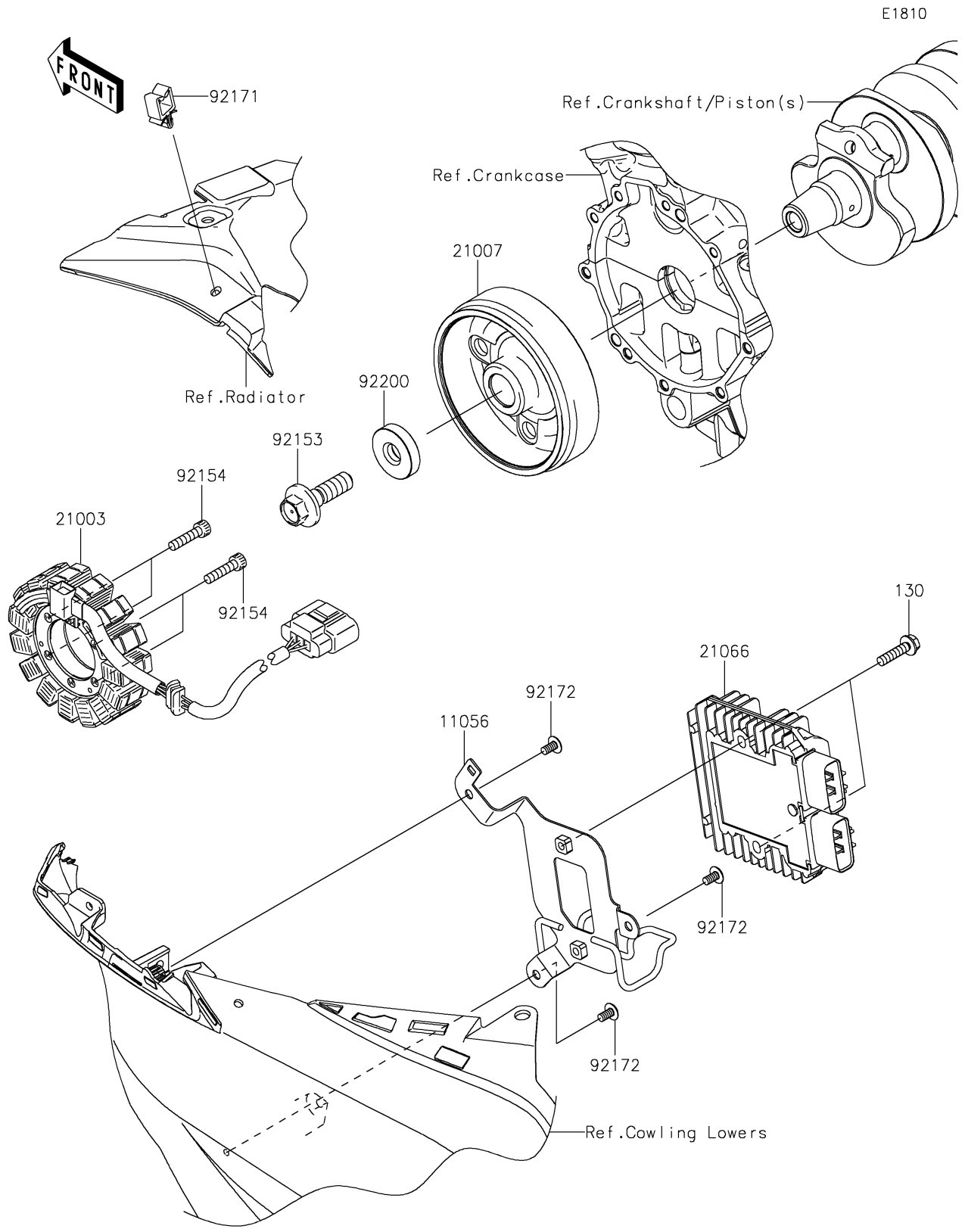


# 2017 NINJA® ZX™ -6R ABS PARTS DIAGRAM

Generator



## 2017 NINJA® ZX™-6R ABS PARTS LIST

### Generator

| ITEM NAME                        | PART NUMBER | QUANTITY |
|----------------------------------|-------------|----------|
| BRACKET,REGULATOR (Ref # 11056)  | 11056-2283  | 1        |
| BOLT-FLANGED,6X25 (Ref # 130)    | 130BA0625   | 2        |
| STATOR (Ref # 21003)             | 21003-0107  | 1        |
| ROTOR (Ref # 21007)              | 21007-0123  | 1        |
| REGULATOR-VOLTAGE (Ref # 21066)  | 21066-0730  | 1        |
| BOLT,12X40 (Ref # 92153)         | 92153-1855  | 1        |
| BOLT,SOCKET,6X25 (Ref # 92154)   | 92154-0477  | 4        |
| CLAMP (Ref # 92171)              | 92171-0290  | 1        |
| SCREW,TAPPING,5X10 (Ref # 92172) | 92172-0262  | 3        |
| WASHER,12X36X8 (Ref # 92200)     | 92200-1249  | 1        |