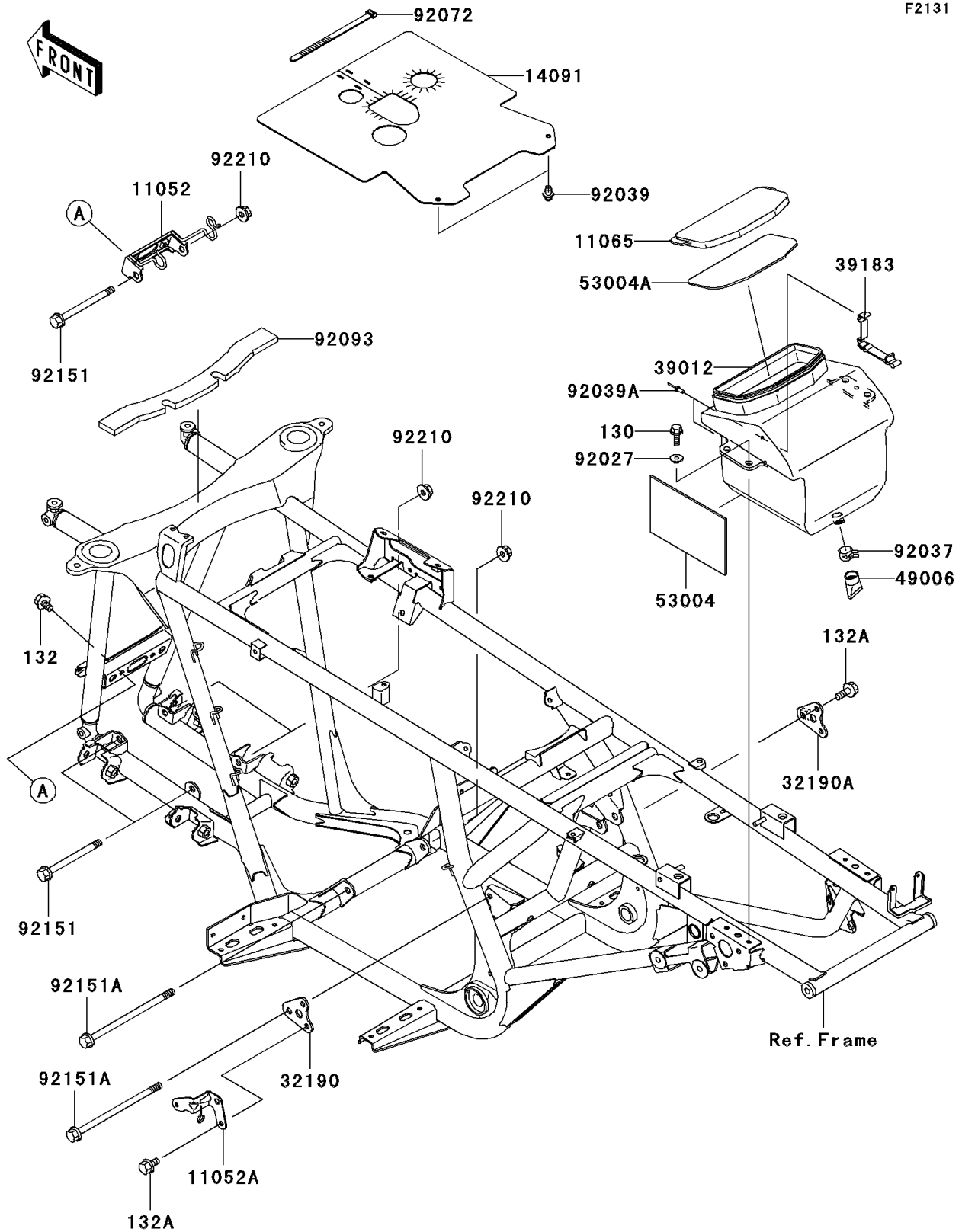


2003 Prairie 650 4X4 Advantage Classic PARTS DIAGRAM

Frame Fittings

F2131



2003 Prairie 650 4X4 Advantage Classic PARTS LIST

Frame Fittings

ITEM NAME	PART NUMBER	QUANTITY
BOLT-FLANGED,6X20 (Ref # 130)	130G0620	4
BOLT-FLANGED-SMALL (Ref # 132)	132J0814	2
BOLT-FLANGED-SMALL,8X16 (Ref # 132A)	132J0816	4
BRACKET,FRONT DIFF (Ref # 11052)	11052-1181	1
BRACKET,RESERVOIR TANK (Ref # 11052A)	11052-1361	1
CAP,STORAGE CASE (Ref # 11065)	11065-1154	1
COVER,FR,UPP (Ref # 14091)	14091-1347	1
BRACKET-ENGINE,RR,UPP,LH (Ref # 32190)	32190-1203	1
BRACKET-ENGINE,RR,UPP,RH (Ref # 32190A)	32190-1204	1
CASE-STORAGE (Ref # 39012)	39012-1064	1
BAND-ASSY,TOOL BAG (Ref # 39183)	39183-1065	1
BOOT (Ref # 49006)	49006-1292	1
MAT,STORAGE CASE (Ref # 53004)	53004-1139	1
MAT,STORAGE CASE CAP (Ref # 53004A)	53004-1147	1
COLLAR (Ref # 92027)	92027-1936	4
CLAMP (Ref # 92037)	92037-1460	1
RIVET (Ref # 92039)	92039-1229	2
RIVET,4.8MM (Ref # 92039A)	92039-3719	2
BAND,L=123 (Ref # 92072)	92072-030	2
SEAL (Ref # 92093)	92093-1555	1
BOLT,FLANGED,10X120 (Ref # 92151)	92151-1914	3
BOLT,FLANGED,10X190 (Ref # 92151A)	92151-1915	2
NUT,LOCK,FLANGED,10MM (Ref # 92210)	92210-1081	4