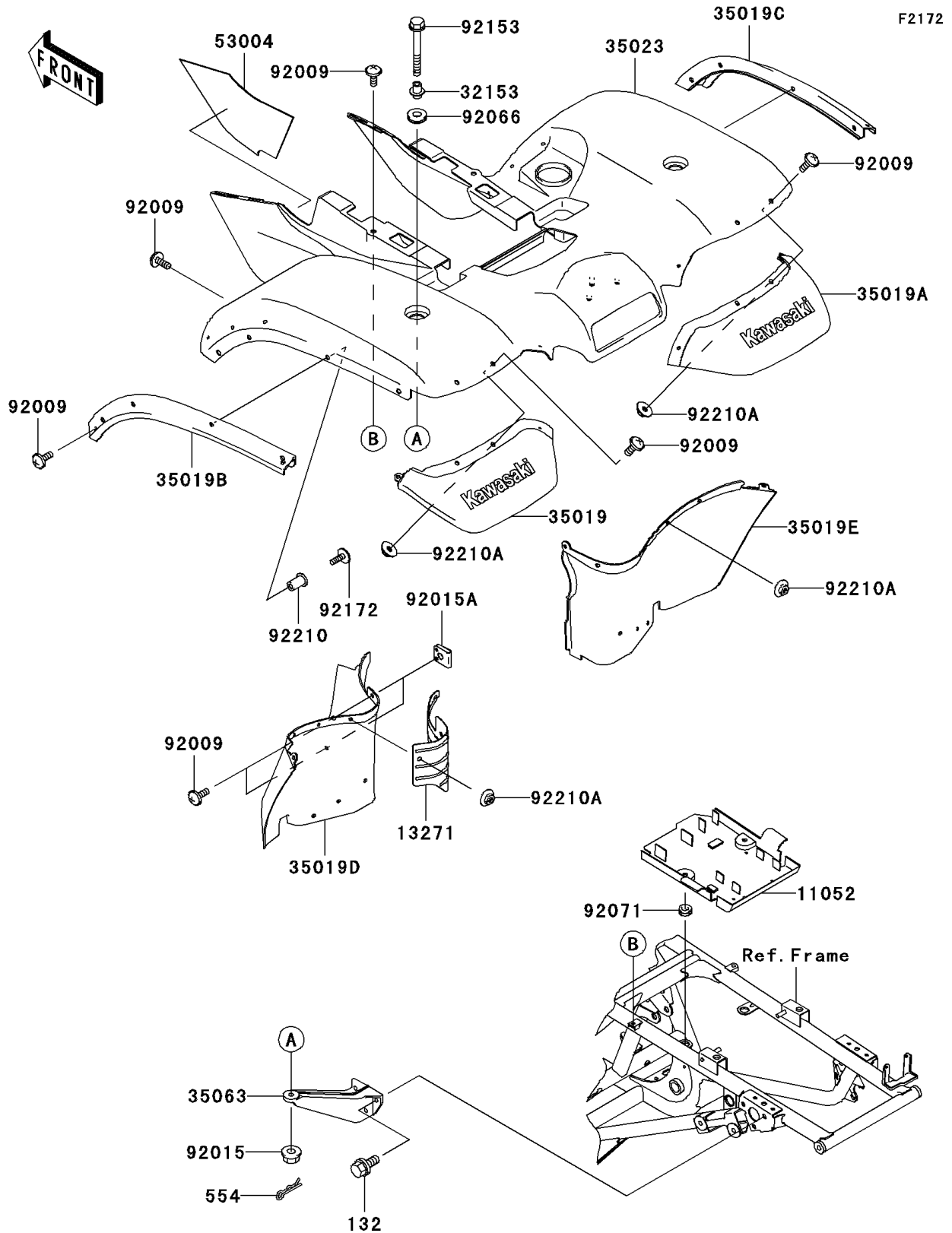


2003 Prairie 650 4X4 Advantage Classic PARTS DIAGRAM

Rear Fender(s)



2003 Prairie 650 4X4 Advantage Classic PARTS LIST

Rear Fender(s)

ITEM NAME	PART NUMBER	QUANTITY
BOLT-FLANGED-SMALL (Ref # 132)	132J0818	6
PIN-SNAP,8MM (Ref # 554)	554A0800	2
BRACKET,ELCTRIC (Ref # 11052)	11052-1847	1
PLATE,HEAT GUARD (Ref # 13271)	13271-1718	1
PIPE,RR FENDER (Ref # 32153)	32153-1606	2
FLAP,RR,RR,LH,F.BLACK (Ref # 35019)	35019-1371-6Z	1
FLAP,RR,RR,RH,F.BLACK (Ref # 35019A)	35019-1372-6Z	1
FLAP,RR,SIDE,LH,F.BLACK (Ref # 35019B)	35019-1373-6Z	1
FLAP,RR,SIDE,RH,F.BLACK (Ref # 35019C)	35019-1374-6Z	1
FLAP,RR,FR,LH,F.BLACK (Ref # 35019D)	35019-1393-6Z	1
FLAP,RR,FR,RH,F.BLACK (Ref # 35019E)	35019-1394-6Z	1
FENDER-REAR,CAMOUFLAGE (Ref # 35023)	35023-1606-370	1
STAY,RR FENDER (Ref # 35063)	35063-1100	2
MAT,RR FENDER (Ref # 53004)	53004-1170	1
SCREW,6X16 (Ref # 92009)	92009-1621	23
NUT,LOCK,FLANGED,8MM (Ref # 92015)	92015-1397	2
NUT,CLAMP,6MM (Ref # 92015A)	92015-1678	2
PLUG (Ref # 92066)	92066-1438	2
GROMMET (Ref # 92071)	92071-1131	2
BOLT,FLANGED,8X58 (Ref # 92153)	92153-1061	2
SCREW,5X18 (Ref # 92172)	92172-1063	8
NUT,POP,5MM (Ref # 92210)	92210-0012	8
NUT,6MM (Ref # 92210A)	92210-1368	19