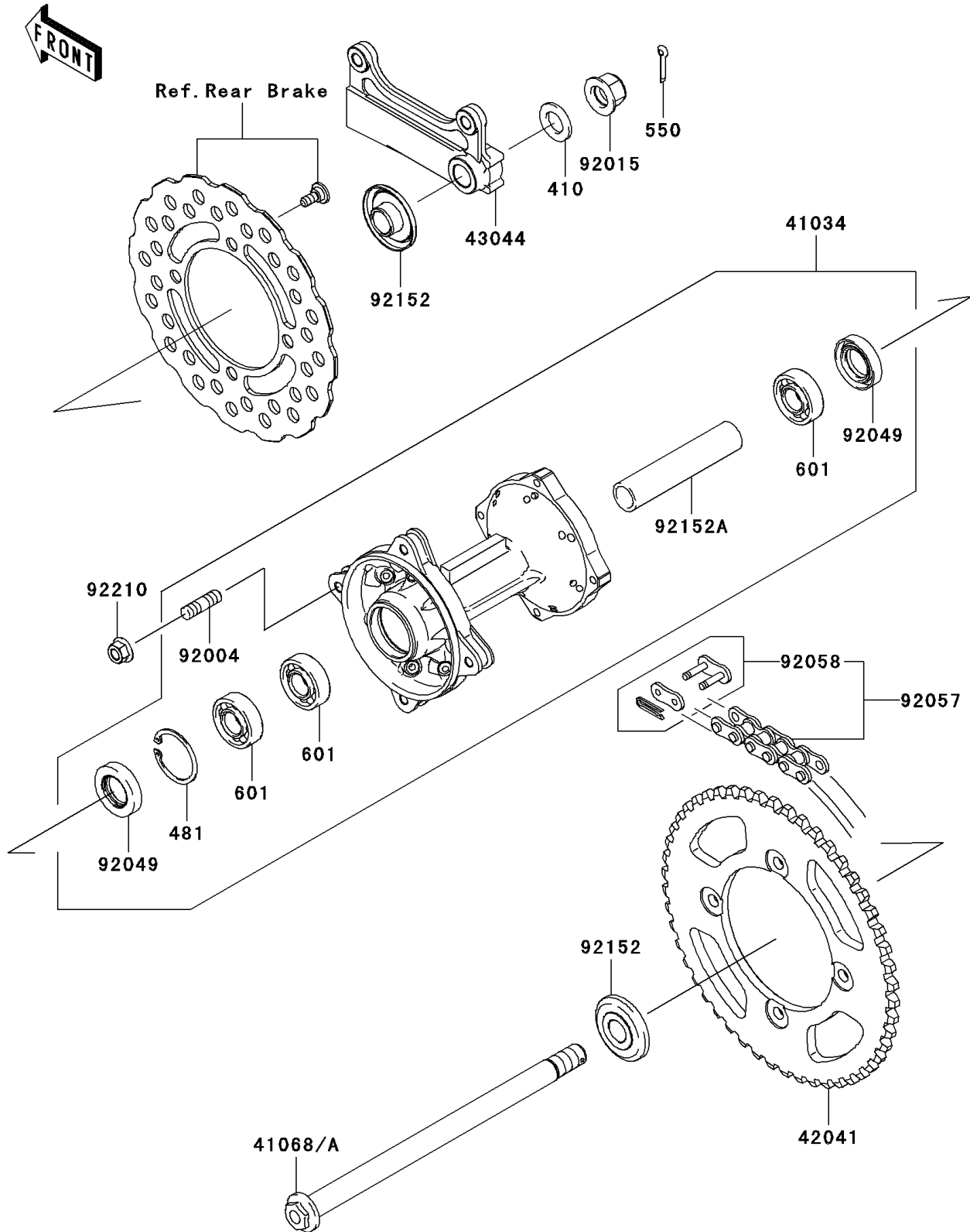


# 2008 KLX<sup>®</sup>140 PARTS DIAGRAM

Rear Hub

F2240



## 2008 KLX®140 PARTS LIST

### Rear Hub

ITEM NAME	PART NUMBER	QUANTITY
WASHER-PLAIN-SMALL,14MM (Ref # 410)	410AA1400	1
CIRCLIP-TYPE-C,35MM (Ref # 481)	481J3500	1
PIN-COTTER,2.5X20 (Ref # 550)	550AA2520	1
BEARING-BALL (Ref # 601)	601B6202UU	3
DRUM-ASSY,REAR BRAKE (Ref # 41034)	41034-0056	1
AXLE,RR (Ref # 41068A)	41068-1401	1
SPROCKET-HUB,50T (Ref # 42041)	42041-0051	1
HOLDER-COMP-CALIPER (Ref # 43044)	43044-1122	1
STUD,8X16 (Ref # 92004)	92004-1183	4
NUT,FLANGED,14MM (Ref # 92015)	92015-1401	1
SEAL-OIL (Ref # 92049)	92049-0114	2
CHAIN,DRIVE,DID428HX122L (Ref # 92057)	92057-0135	1
JOINT-CHAIN,DRIVE (Ref # 92058)	92058-0016	1
COLLAR,RR AXLE,L=12.5 (Ref # 92152)	92152-0651	2
COLLAR,RR BRAKE DRUM,L=95 (Ref # 92152A)	92152-1090	1
NUT,FLANGED,LOCK,8MM (Ref # 92210)	92210-0159	4