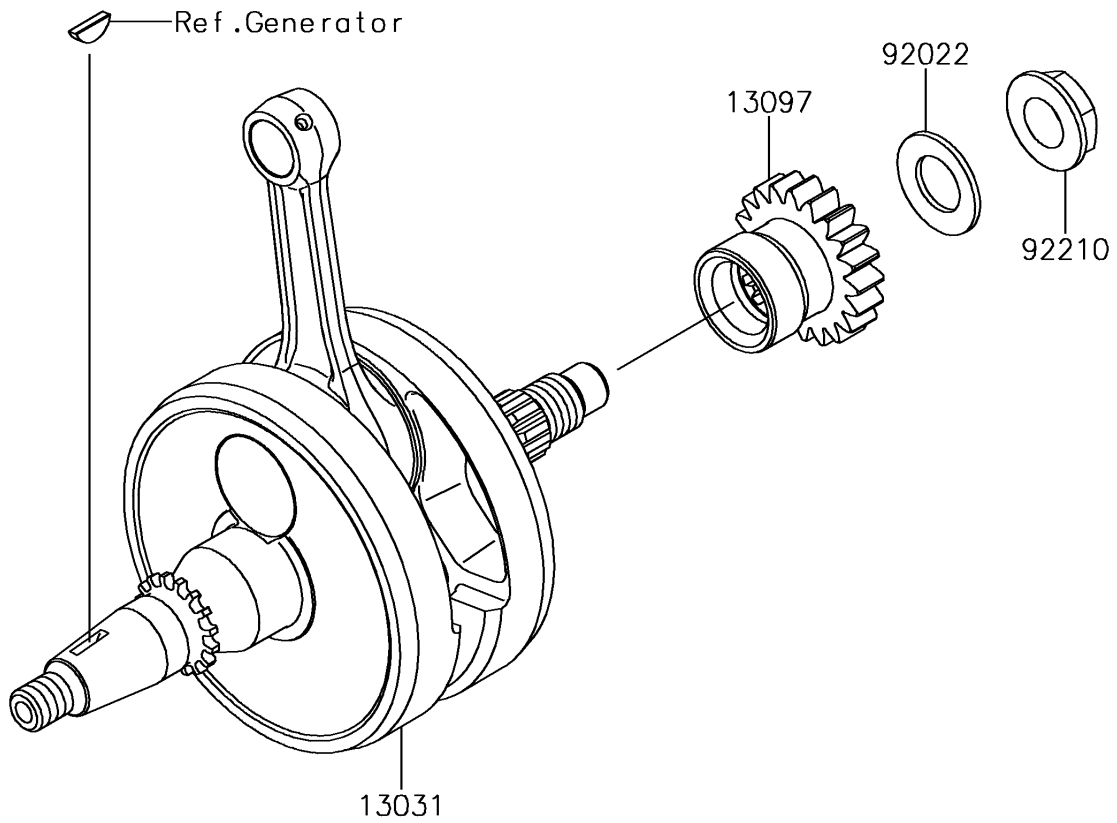


2019 KX™ 250 PARTS DIAGRAM

Crankshaft

E1321



2019 KX™ 250 PARTS LIST

Crankshaft

ITEM NAME	PART NUMBER	QUANTITY
CRANKSHAFT-COMP (Ref # 13031)	13031-0842	1
GEAR-PRIMARY SPUR,20T (Ref # 13097)	13097-0117	1
WASHER,16.3X29X1.75 (Ref # 92022)	92022-1356	1
NUT,LEFT HANDED,16MM (Ref # 92210)	92210-0350	1