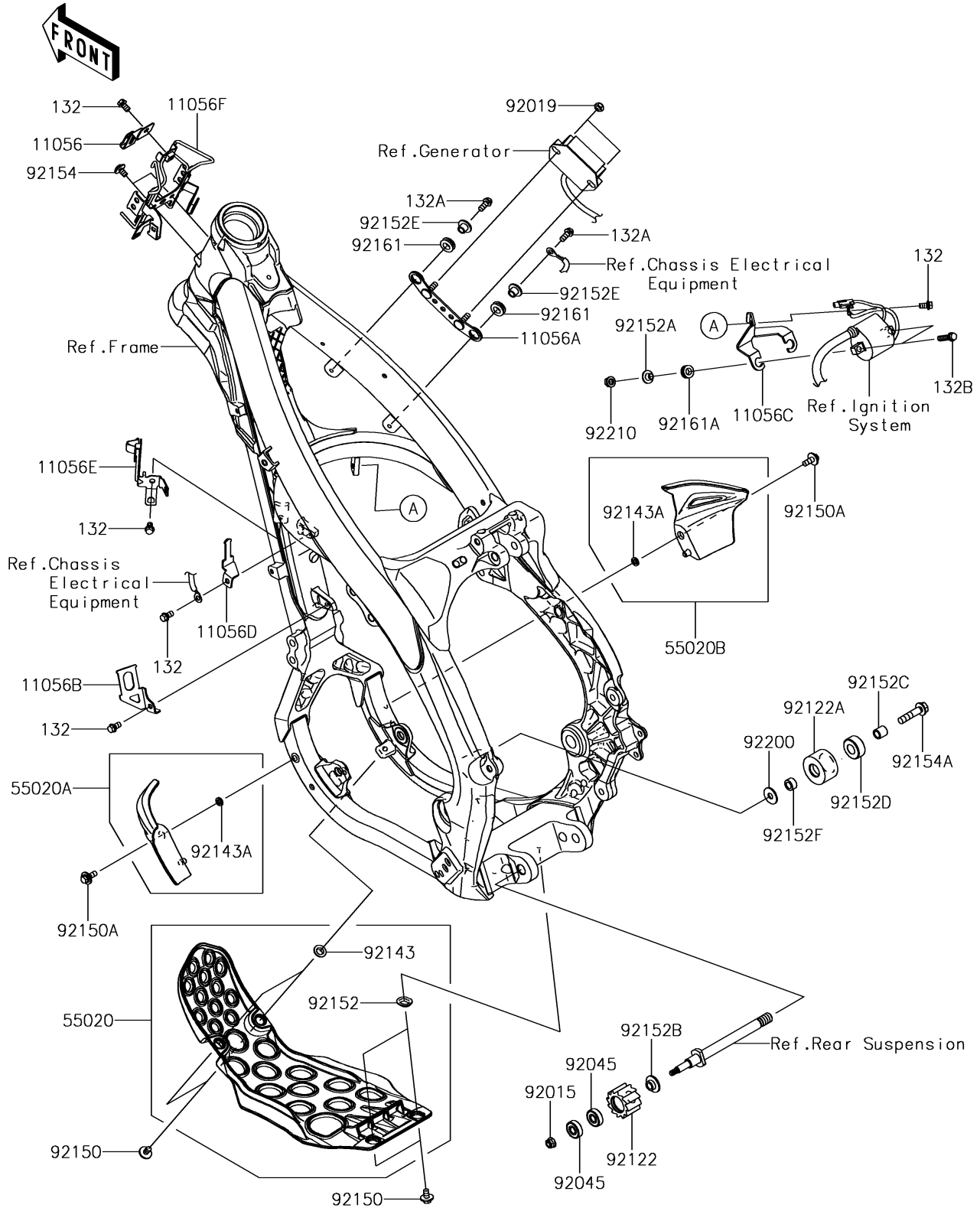


2019 KX™ 250 PARTS DIAGRAM

Frame Fittings

F2131



2019 KX™ 250 PARTS LIST

Frame Fittings

ITEM NAME	PART NUMBER	QUANTITY
BRACKET,DIAG CONNECTOR (Ref # 11056)	11056-0070	1
BRACKET,REGULATOR (Ref # 11056A)	11056-0624	1
BRACKET,CONDENSOR (Ref # 11056B)	11056-7458	1
BRACKET,IG. COIL (Ref # 11056C)	11056-7976	1
BRACKET,VEHICLE DOWN SENSOR (Ref # 11056D)	11056-7977	1
BRACKET,CONNECTOR (Ref # 11056E)	11056-7978	1
BRACKET,ECU (Ref # 11056F)	11056-7985	1
BOLT-FLANGED-SMALL,6X10 (Ref # 132)	132BA0610	5
BOLT-FLANGED-SMALL,6X14 (Ref # 132A)	132BA0614	2
BOLT-FLANGED-SMALL,6X25 (Ref # 132B)	132BA0625	2
GUARD,ENGINE,LWR,EBONY (Ref # 55020)	55020-0443-6C	1
GUARD,ENGINE,LH (Ref # 55020A)	55020-1941	1
GUARD,ENGINE,RH (Ref # 55020B)	55020-1942	1
NUT,LOCK,FLANGED,6MM (Ref # 92015)	92015-1339	1
NUT,LOCK,6MM (Ref # 92019)	92019-008	2
BEARING-BALL,608LLU/2A (Ref # 92045)	92045-0060	2
ROLLER,CHAIN GUIDE (Ref # 92122)	92122-0016	1
ROLLER,CHAIN (Ref # 92122A)	92122-0042	1
COLLAR (Ref # 92143)	92143-1196	2
COLLAR (Ref # 92143A)	92143-1307	2
BOLT,6X12 (Ref # 92150)	92150-1435	4
BOLT,FLANGED,6X16 (Ref # 92150A)	92150-1506	2
COLLAR (Ref # 92152)	92152-0052	2
COLLAR,6.3X8.3X16 (Ref # 92152A)	92152-0286	2
COLLAR (Ref # 92152B)	92152-0459	1
COLLAR,8.5X12.5X12.5 (Ref # 92152C)	92152-0944	1
COLLAR,12.7X27.2X12 (Ref # 92152D)	92152-0945	1
COLLAR (Ref # 92152E)	92152-1449	2
COLLAR,8.5X14X7.5 (Ref # 92152F)	92152-2092	1

2019 KX™ 250 PARTS LIST

Frame Fittings

ITEM NAME	PART NUMBER	QUANTITY
BOLT,SOCKET,6X10 (Ref # 92154)	92154-0774	2
BOLT,FLANGED,8X35 (Ref # 92154A)	92154-1746	1
DAMPER (Ref # 92161)	92161-0266	2
DAMPER,8.5X15.5X5.5 (Ref # 92161A)	92161-0878	2
WASHER,8.0X22.0X1.5 (Ref # 92200)	92200-0174	1
NUT,FLANGED,6MM (Ref # 92210)	92210-0630	2