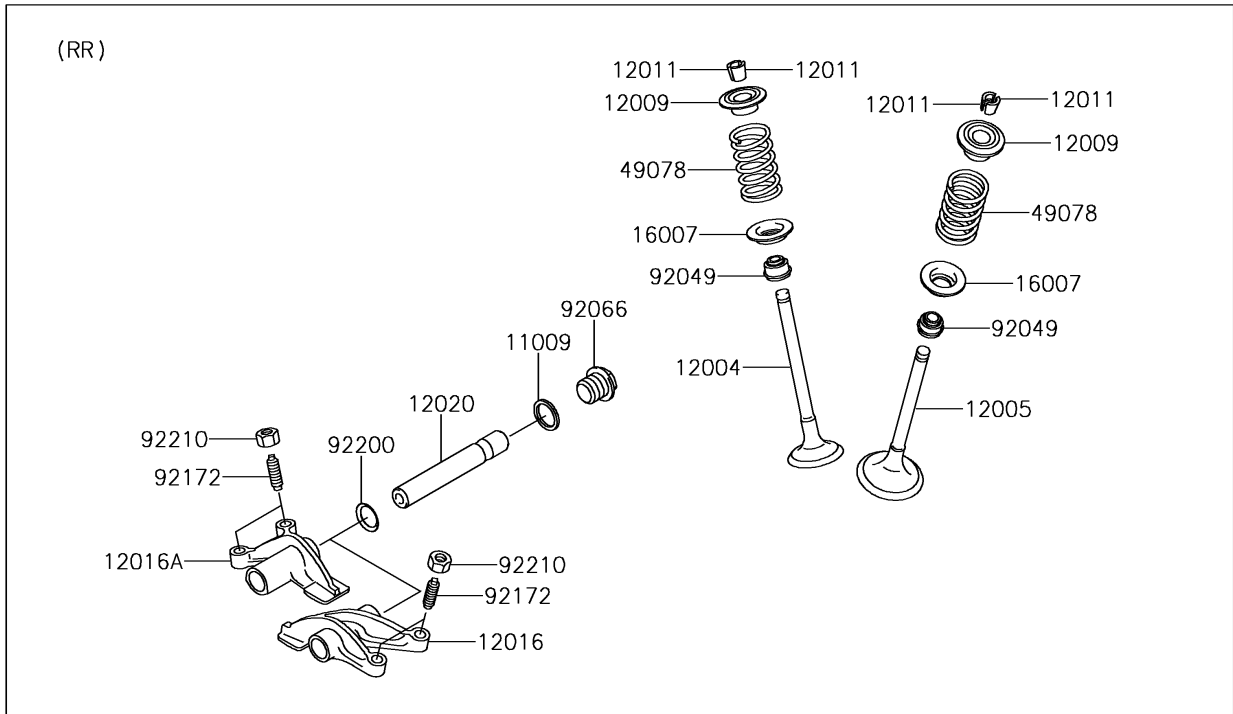
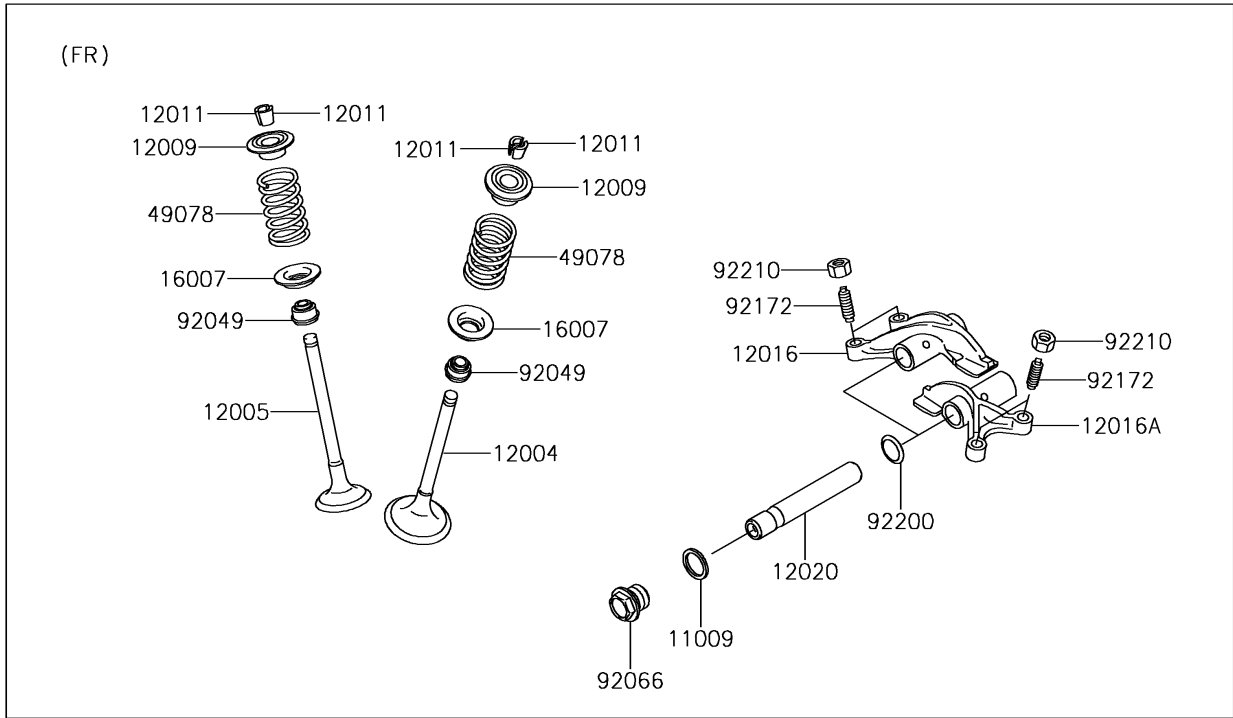


# 2016 BRUTE FORCE® 750 4x4i EPS PARTS DIAGRAM

Valve(s)

E1210



## 2016 BRUTE FORCE® 750 4x4i EPS PARTS LIST

Valve(s)

| ITEM NAME                           | PART NUMBER | QUANTITY |
|-------------------------------------|-------------|----------|
| GASKET,14X18X1.5 (Ref # 11009)      | 11009-1430  | 4        |
| VALVE-INTAKE (Ref # 12004)          | 12004-0717  | 4        |
| VALVE-EXHAUST (Ref # 12005)         | 12005-0047  | 4        |
| RETAINER-VALVE SPRING (Ref # 12009) | 12009-1056  | 8        |
| COLLET (Ref # 12011)                | 12011-1051  | 16       |
| ARM-ROCKER,EXHAUST (Ref # 12016)    | 12016-1128  | 2        |
| ARM-ROCKER,INTAKE (Ref # 12016A)    | 12016-1129  | 2        |
| SHAFT-ROCKER (Ref # 12020)          | 12020-0004  | 4        |
| SEAT-SPRING (Ref # 16007)           | 16007-0703  | 8        |
| SPRING-ENGINE VALVE (Ref # 49078)   | 49078-0014  | 8        |
| SEAL-OIL,VSB58.558 (Ref # 92049)    | 92049-1218  | 8        |
| PLUG,DRAIN (Ref # 92066)            | 92066-2196  | 4        |
| SCREW,6MM (Ref # 92172)             | 92172-0737  | 8        |
| WASHER,13X17X0.3 (Ref # 92200)      | 92200-0808  | 4        |
| NUT,6MM (Ref # 92210)               | 92210-1490  | 8        |