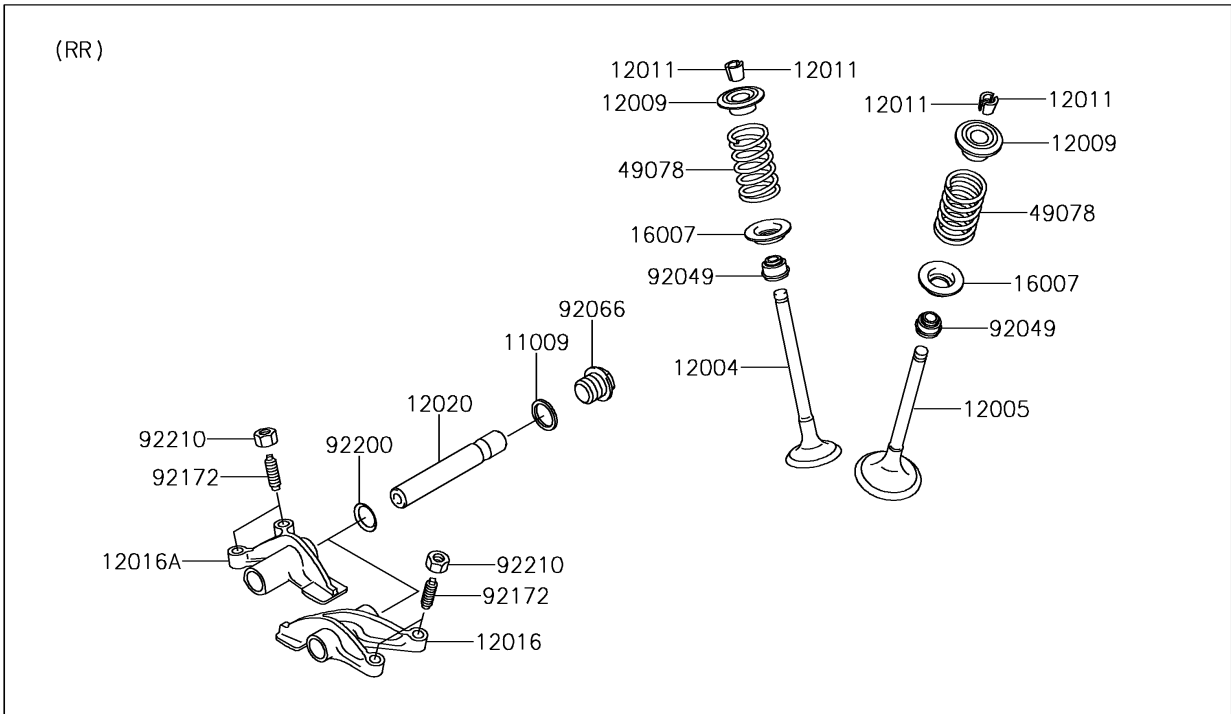
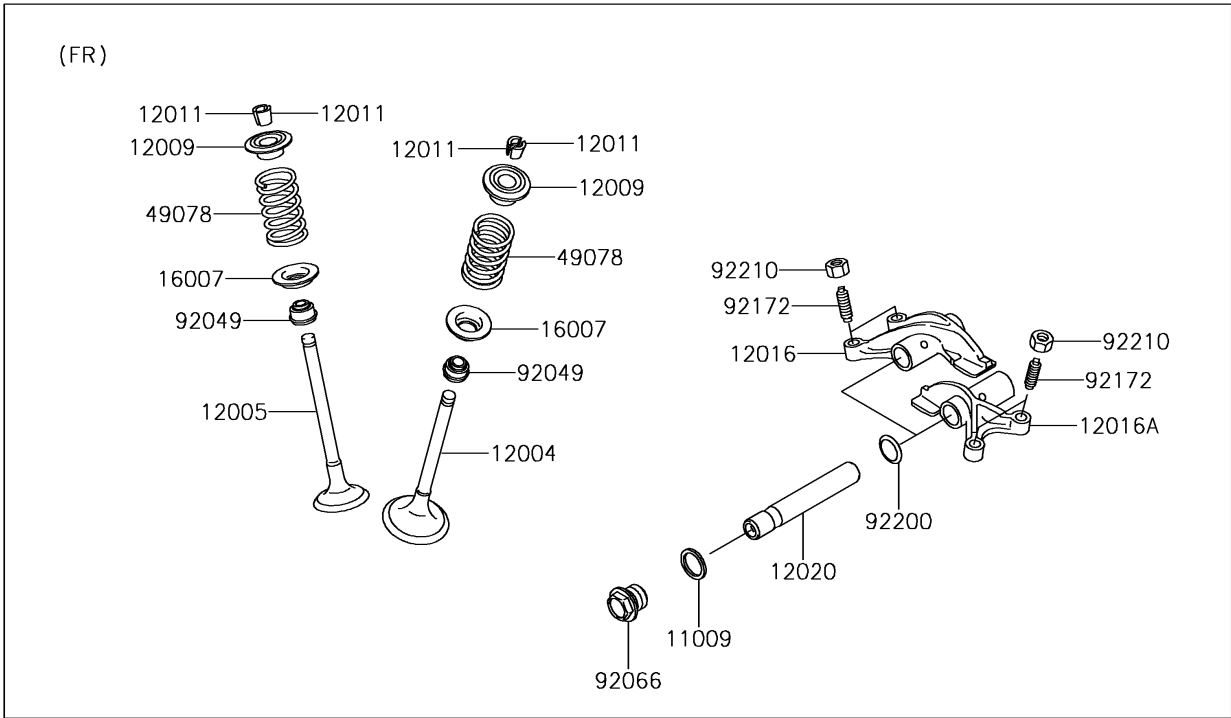


2019 BRUTE FORCE® 750 4x4i EPS PARTS DIAGRAM

Valve(s)

E1210



2019 BRUTE FORCE® 750 4x4i EPS PARTS LIST

Valve(s)

| ITEM NAME | PART NUMBER | QUANTITY |
|-------------------------------------|-------------|----------|
| GASKET,14X18X1.5 (Ref # 11009) | 11009-1430 | 4 |
| VALVE-INTAKE (Ref # 12004) | 12004-0717 | 4 |
| VALVE-EXHAUST (Ref # 12005) | 12005-0047 | 4 |
| RETAINER-VALVE SPRING (Ref # 12009) | 12009-1056 | 8 |
| COLLET (Ref # 12011) | 12011-1051 | 16 |
| ARM-ROCKER,EXHAUST (Ref # 12016) | 12016-1128 | 2 |
| ARM-ROCKER,INTAKE (Ref # 12016A) | 12016-1129 | 2 |
| SHAFT-ROCKER (Ref # 12020) | 12020-0004 | 4 |
| SEAT-SPRING (Ref # 16007) | 16007-0703 | 8 |
| SPRING-ENGINE VALVE (Ref # 49078) | 49078-0014 | 8 |
| SEAL-OIL,VSB58.558 (Ref # 92049) | 92049-1218 | 8 |
| PLUG,DRAIN (Ref # 92066) | 92066-2196 | 4 |
| SCREW,6MM (Ref # 92172) | 92172-0737 | 8 |
| WASHER,13X17X0.3 (Ref # 92200) | 92200-0808 | 4 |
| NUT,6MM (Ref # 92210) | 92210-1490 | 8 |