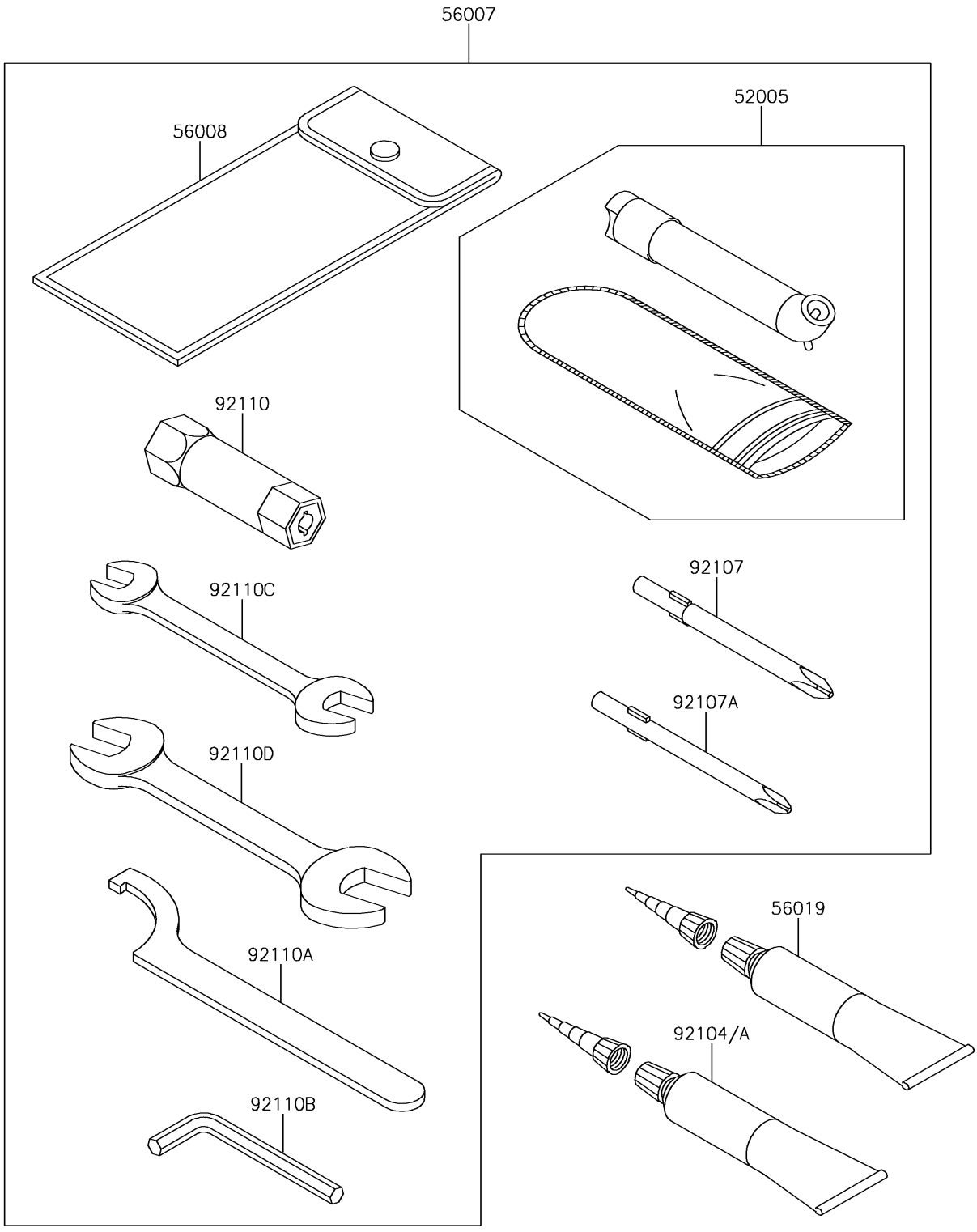


# 2016 BRUTE FORCE® 750 4x4i EPS PARTS DIAGRAM

Owner's Tools

F2810



## 2016 BRUTE FORCE® 750 4x4i EPS PARTS LIST

### Owner's Tools

| ITEM NAME                                 | PART NUMBER | QUANTITY |
|---|-------------|----------|
| GAUGE,AIR (Ref # 52005)                   | 52005-1082  | 1        |
| TOOL-KIT (Ref # 56007)                    | 56007-0014  | 1        |
| BAG,TOOL (Ref # 56008)                    | 56008-1007  | 1        |
| GASKET-LIQUID,TB1211,WHITE (Ref # 56019)  | 56019-120   | 1        |
| GASKET-LIQUID,TB1211F,CLEAR (Ref # 92104) | 92104-0004  | 1        |
| GASKET-LIQUID,TB1216,GRAY (Ref # 92104A)  | 92104-1063  | 1        |
| TOOL-DRIVER,#3PHILLIPS (Ref # 92107)      | 92107-005   | 1        |
| TOOL-DRIVER,#2PHILLIPS (Ref # 92107A)     | 92107-1053  | 1        |
| TOOL-WRENCH,BOX,16MM (Ref # 92110)        | 92110-1116  | 1        |
| TOOL-WRENCH,HOOK (Ref # 92110A)           | 92110-1129  | 1        |
| TOOL-WRENCH,ALLEN,3MM (Ref # 92110B)      | 92110-1140  | 1        |
| TOOL-WRENCH,OPEN END,10X12 (Ref # 92110C) | 92110-1152  | 1        |
| TOOL-WRENCH,OPEN END,14X17 (Ref # 92110D) | 92110-1153  | 1        |