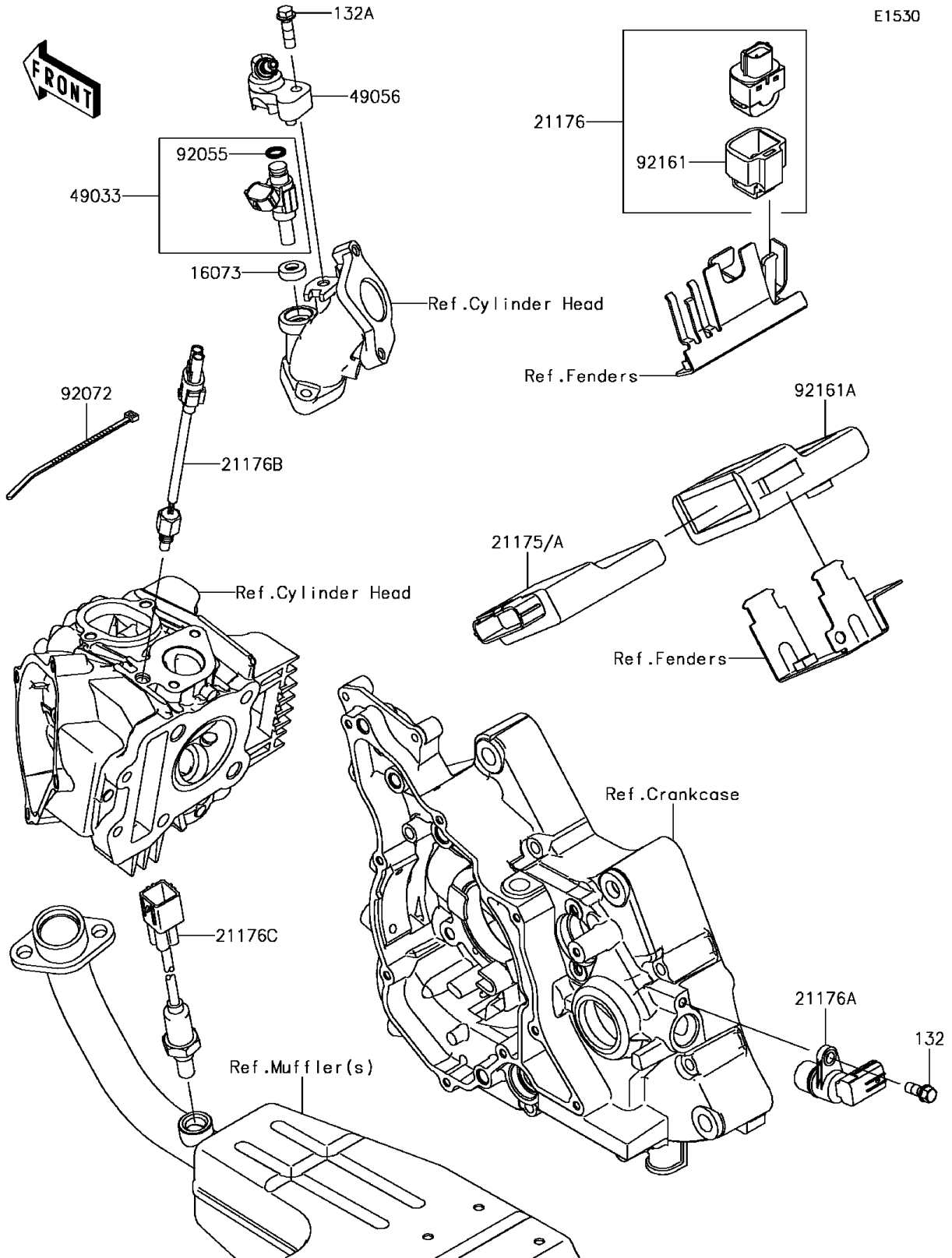


2017 Z125 Pro PARTS DIAGRAM

Fuel Injection



2017 Z125 Pro PARTS LIST

Fuel Injection

ITEM NAME	PART NUMBER	QUANTITY
BOLT-FLANGED-SMALL,6X16 (Ref # 132)	132BA0616	1
BOLT-FLANGED-SMALL,6X20 (Ref # 132A)	132BA0620	1
INSULATOR (Ref # 16073)	16073-0129	1
CONTROL UNIT-ELECTRONIC (Ref # 21175)	21175-1145	1
CONTROL UNIT-ELECTRONIC (Ref # 21175A)	21175-1147	1
SENSOR,VEHICLE-DOWN (Ref # 21176)	21176-0704	1
SENSOR,SPEED (Ref # 21176A)	21176-0806	1
SENSOR,ENGINE TEMP (Ref # 21176B)	21176-0817	1
SENSOR,OXYGEN (Ref # 21176C)	21176-0826	1
NOZZLE-INJECTION (Ref # 49033)	49033-0038	1
PIPE-INJECTION (Ref # 49056)	49056-0043	1
RING-O,INJECTION NOZZLE (Ref # 92055)	92055-0124	1
BAND (Ref # 92072)	92072-0054	1
DAMPER (Ref # 92161)	92161-0951	1
DAMPER,ECU (Ref # 92161A)	92161-1788	1