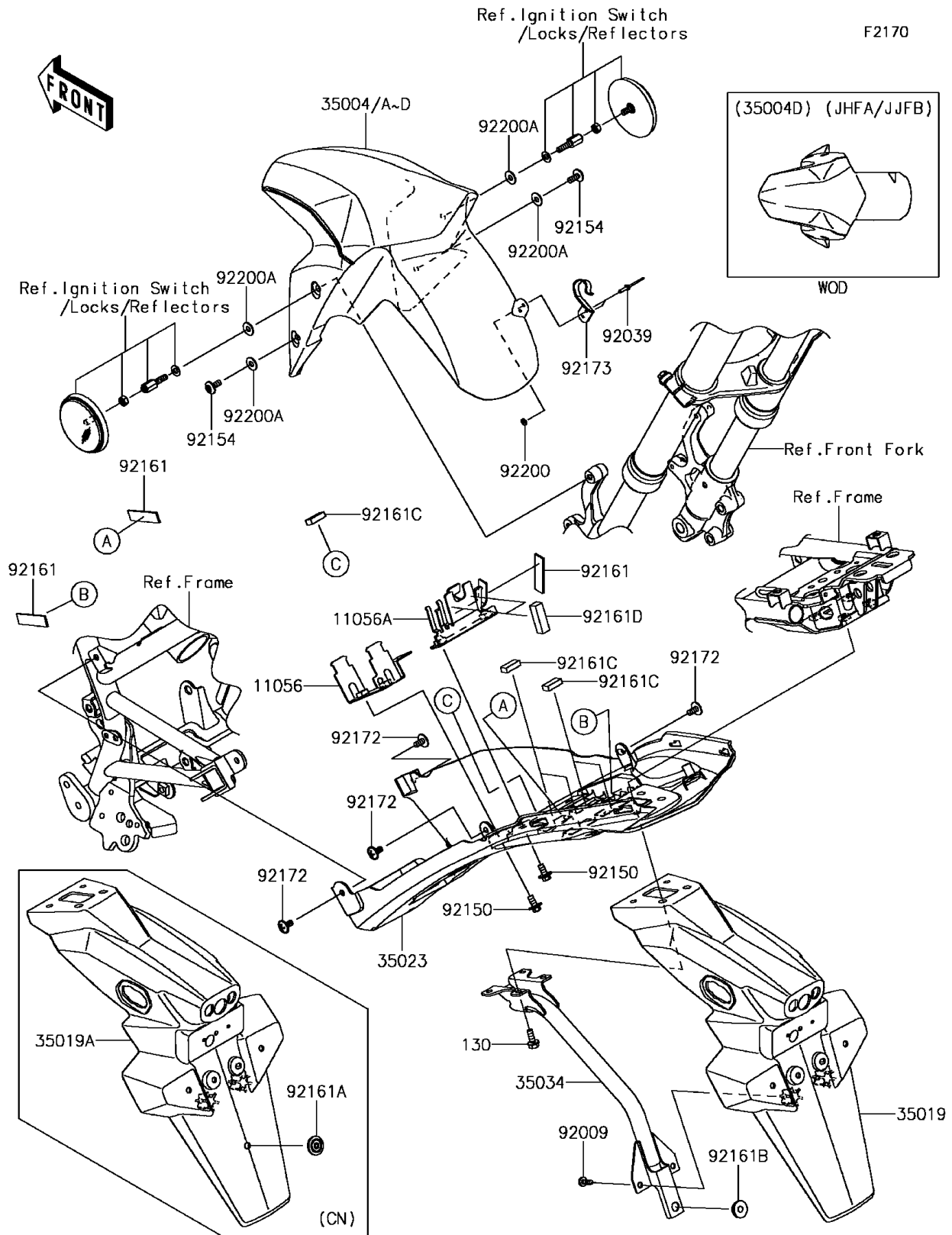


# 2017 Z125 Pro PARTS DIAGRAM

## Fenders



## 2017 Z125 Pro PARTS LIST

### Fenders

| ITEM NAME                             | PART NUMBER    | QUANTITY |
|---------------------------------------|----------------|----------|
| BRACKET (Ref # 11056)                 | 11056-7604     | 1        |
| BRACKET (Ref # 11056A)                | 11056-7605     | 1        |
| BOLT-FLANGED,6X16 (Ref # 130)         | 130BA0616      | 4        |
| FENDER-FRONT,M.G.GRAY (Ref # 35004A)  | 35004-0352-45W | 1        |
| FENDER-FRONT,C.L.GREEN (Ref # 35004B) | 35004-0352-51P | 1        |
| FLAP (Ref # 35019A)                   | 35019-0631     | 1        |
| FENDER-REAR (Ref # 35023)             | 35023-0410     | 1        |
| REINFORCE (Ref # 35034)               | 35034-0597     | 1        |
| SCREW,6X14 (Ref # 92009)              | 92009-3845     | 2        |
| RIVET (Ref # 92039)                   | 92039-1231     | 2        |
| BOLT,6X14 (Ref # 92150)               | 92150-1340     | 4        |
| BOLT,SOCKET,6X14 (Ref # 92154)        | 92154-2161     | 2        |
| DAMPER (Ref # 92161)                  | 92161-1359     | 3        |
| DAMPER,8X22X10 (Ref # 92161A)         | 92161-1685     | 1        |
| DAMPER (Ref # 92161B)                 | 92161-1810     | 1        |
| DAMPER (Ref # 92161C)                 | 92161-1842     | 5        |
| DAMPER,10X35X11 (Ref # 92161D)        | 92161-1924     | 2        |
| SCREW,6X12 (Ref # 92172)              | 92172-0394     | 4        |
| CLAMP (Ref # 92173)                   | 92173-1485     | 1        |
| WASHER,3.5X8X1 (Ref # 92200)          | 92200-1251     | 2        |
| WASHER,6.5X16X1 (Ref # 92200A)        | 92200-1784     | 4        |