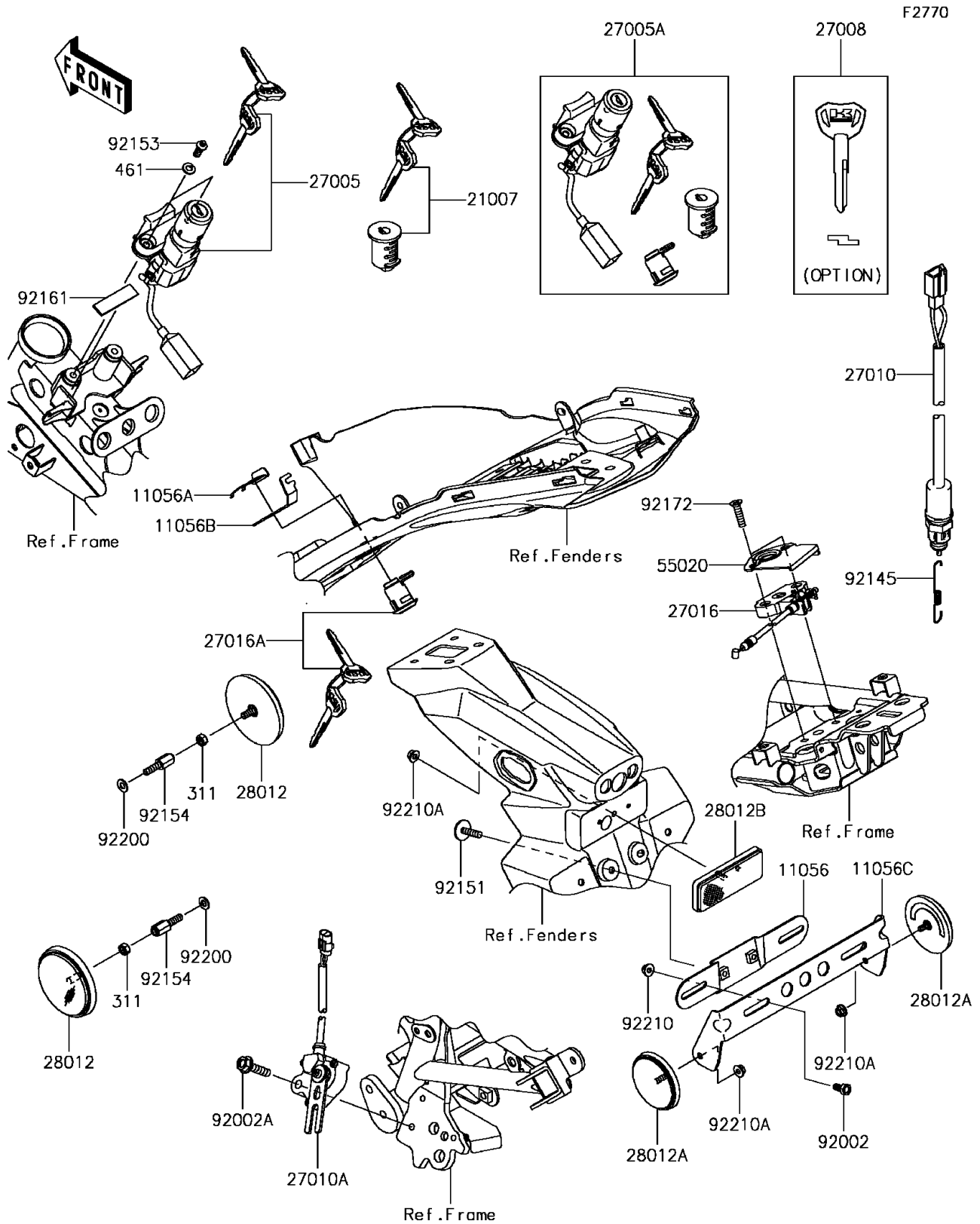


# 2017 Z125 Pro PARTS DIAGRAM

Ignition Switch/Locks/Reflectors



## 2017 Z125 Pro PARTS LIST

### Ignition Switch/Locks/Reflectors

ITEM NAME	PART NUMBER	QUANTITY
BRACKET,LICENSE PLATE (Ref # 11056)	11056-0139	1
BRACKET,CLASP (Ref # 11056A)	11056-0238	1
BRACKET,SEAT LOCK (Ref # 11056B)	11056-2119	1
BRACKET (Ref # 11056C)	11056-7906	1
ROTOR (Ref # 21007)	21007-5081	1
SWITCH-ASSY-IGNITION (Ref # 27005)	27005-0612	1
SWITCH-ASSY-IGNITION (Ref # 27005A)	27005-5158	1
KEY-LOCK,BLANK (Ref # 27008)	27008-0559	1
SWITCH,RR BRAKE (Ref # 27010)	27010-0828	1
SWITCH,SIDE STAND (Ref # 27010A)	27010-0829	1
LOCK-ASSY,SEAT STRIKER (Ref # 27016)	27016-0081	1
LOCK-ASSY (Ref # 27016A)	27016-5393	1
REFLECTOR-REFLEX,FR,SIDE (Ref # 28012)	28012-0001	2
REFLECTOR-REFLEX (Ref # 28012A)	28012-0002	2
REFLECTOR-REFLEX (Ref # 28012B)	28012-1077	1
NUT-HEX,5MM (Ref # 311)	311AB0500	2
WASHER-SPRING,6MM (Ref # 461)	461DA0600	2
GUARD,SEAT LOCK (Ref # 55020)	55020-0554	1
BOLT,6X12 (Ref # 92002)	92002-1132	2
BOLT,FLANGED,6X25 (Ref # 92002A)	92002-1582	1
SPRING (Ref # 92145)	92145-1723	1
BOLT,6X25 (Ref # 92151)	92151-1241	2
BOLT,TORX,6X16 (Ref # 92153)	92153-0967	2
BOLT,6X20 (Ref # 92154)	92154-2193	2
DAMPER (Ref # 92161)	92161-1359	1
SCREW,6X25 (Ref # 92172)	92172-0965	2
WASHER,6.5X16X1.0 (Ref # 92200)	92200-0796	2
NUT,FLANGED,6MM (Ref # 92210)	92210-1514	2
NUT,FLANGED,5MM (Ref # 92210A)	92210-1607	3