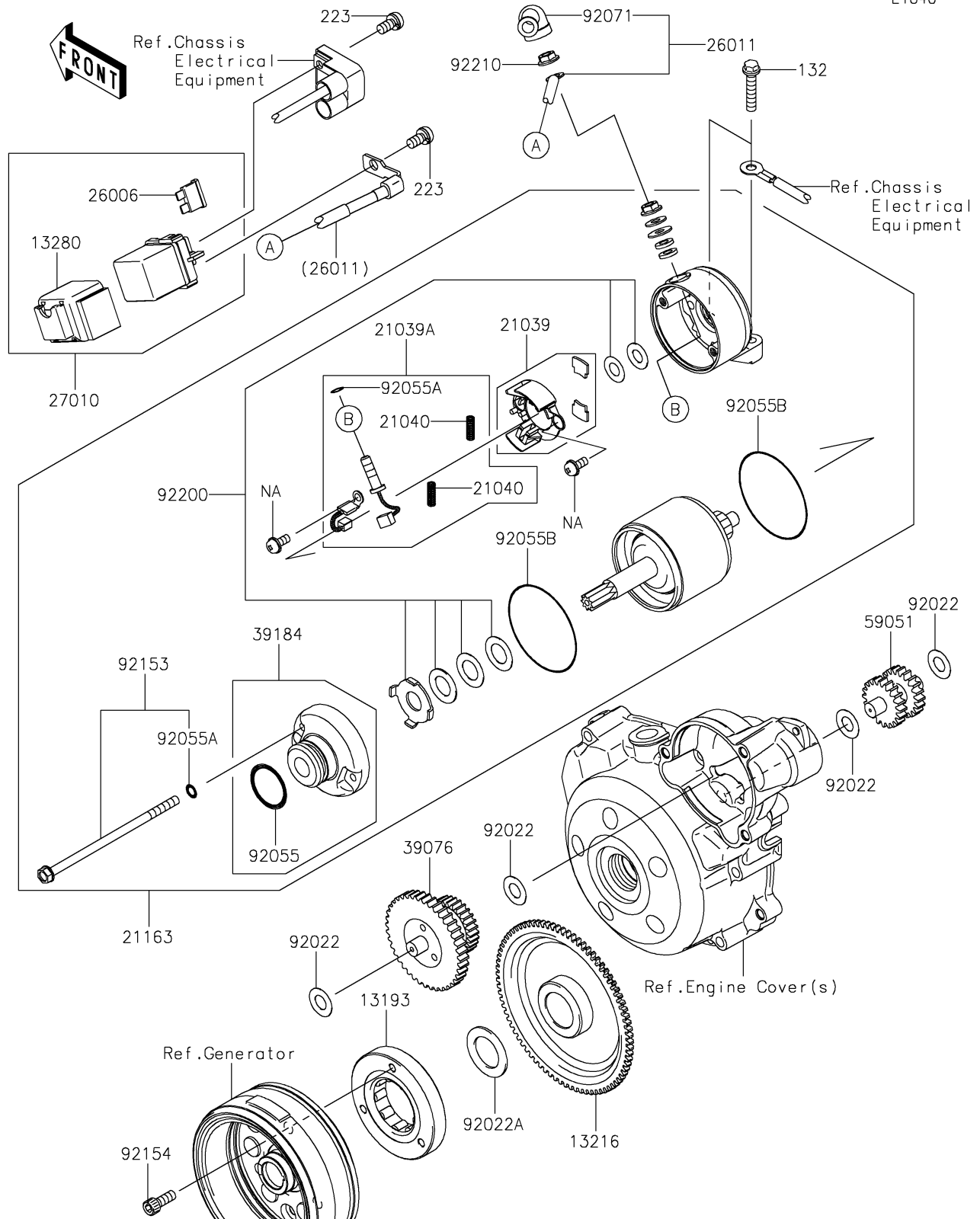


2020 KLX®140G PARTS DIAGRAM

Starter Motor

E1840



2020 KLX®140G PARTS LIST

Starter Motor

ITEM NAME	PART NUMBER	QUANTITY
CLUTCH-ASSY-ONEWAY (Ref # 13193)	13193-0005	1
BOLT-FLANGED-SMALL,6X30 (Ref # 132)	132BD0630	2
GEAR-COMP,FREE WHEEL (Ref # 13216)	13216-0040	1
HOLDER (Ref # 13280)	13280-0818	1
BRUSH (Ref # 21039)	21039-0007	1
BRUSH (Ref # 21039A)	21039-0008	1
SPRING-BRUSH (Ref # 21040)	21040-0004	2
STARTER-ELECTRIC (Ref # 21163)	21163-0762	1
SCREW-PAN-WS-CROS,5X10 (Ref # 223)	223AA0510	2
FUSE,BLADE,10A,RED (Ref # 26006)	26006-1007	1
WIRE-LEAD,STARTER (Ref # 26011)	26011-0782	1
SWITCH,MAGNETIC (Ref # 27010)	27010-0798	1
LIMITER,STARTER IDLE GEAR (Ref # 39076)	39076-0020	1
BRACKET-ASSY (Ref # 39184)	39184-0015	1
GEAR-SPUR,IDLE (Ref # 59051)	59051-0785	1
WASHER,10.2X20X0.5 (Ref # 92022)	92022-1649	4
WASHER,22.3X35X1.6 (Ref # 92022A)	92022-212	1
RING-O (Ref # 92055)	92055-1276	1
RING-O,4.5X2.0 (Ref # 92055A)	92055-1370	3
RING-O (Ref # 92055B)	92055-1550	2
GROMMET (Ref # 92071)	92071-0705	1
BOLT (Ref # 92153)	92153-1914	2
BOLT,SOCKET,6X16 (Ref # 92154)	92154-0235	3
WASHER,SET (Ref # 92200)	92200-0407	1
NUT,FLANGED,6MM (Ref # 92210)	92210-1514	1