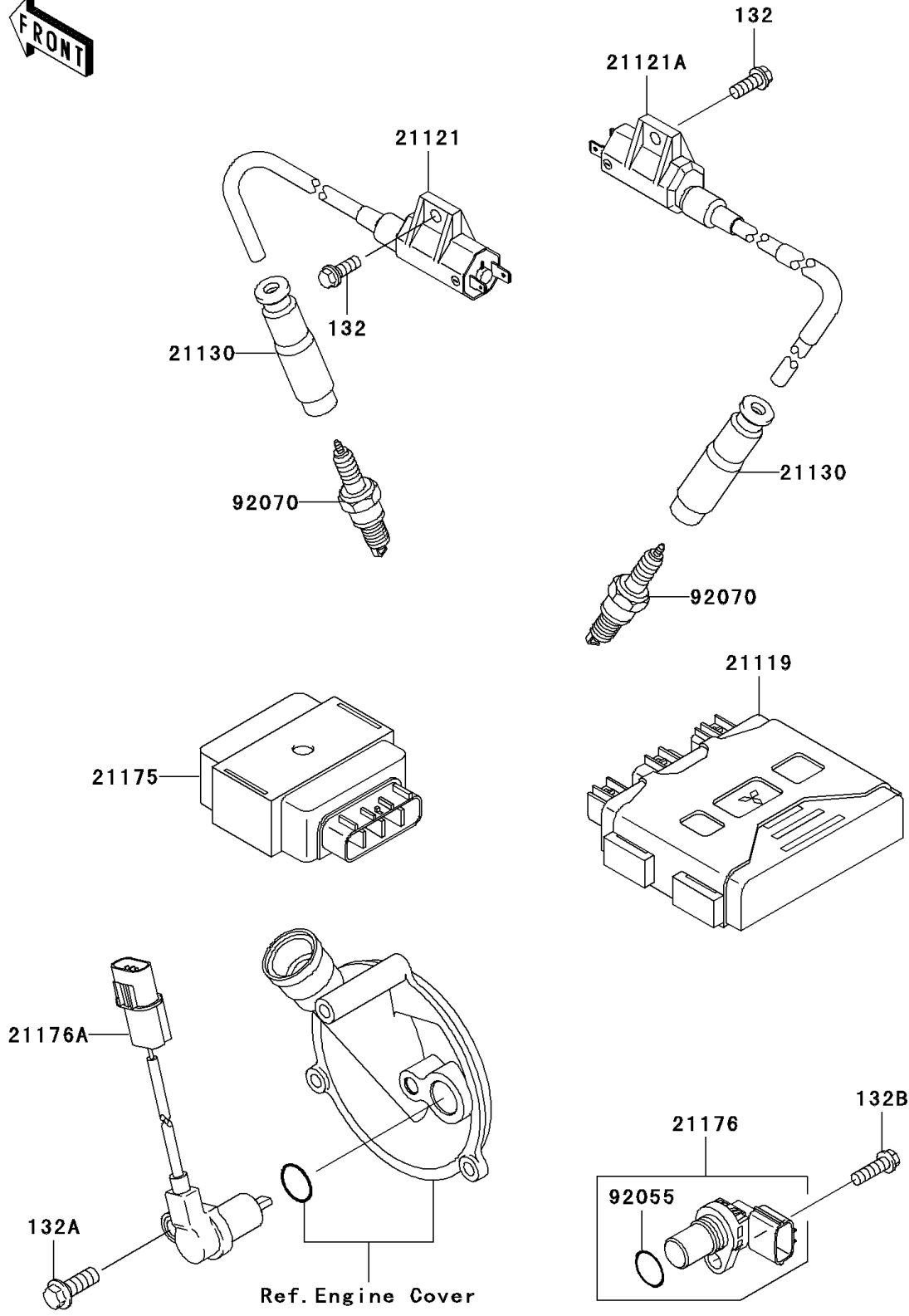


2005 Brute Force 650 4x4 PARTS DIAGRAM

Ignition System

E1830



2005 Brute Force 650 4x4 PARTS LIST

Ignition System

ITEM NAME	PART NUMBER	QUANTITY
BOLT-FLANGED-SMALL,6X16 (Ref # 132)	132H0616	2
BOLT-FLANGED-SMALL,8X22 (Ref # 132A)	132H0822	1
BOLT-FLANGED-SMALL,6X20 (Ref # 132B)	132Y0620	1
IGNITER (Ref # 21119)	21119-0004	1
COIL-IGNITION,FR (Ref # 21121)	21121-1292	1
COIL-IGNITION,RR (Ref # 21121A)	21121-1306	1
CAP-SPARK PLUG (Ref # 21130)	21130-1071	2
CONTROL UNIT-ELECTRONIC (Ref # 21175)	21175-0086	1
SENSOR,SPEED (Ref # 21176)	21176-1104	1
SENSOR,REVERSE (Ref # 21176A)	21176-1109	1
RING-O (Ref # 92055)	92055-1718	1
PLUG-SPARK,CR7E(NGK) (Ref # 92070)	92070-1209	2