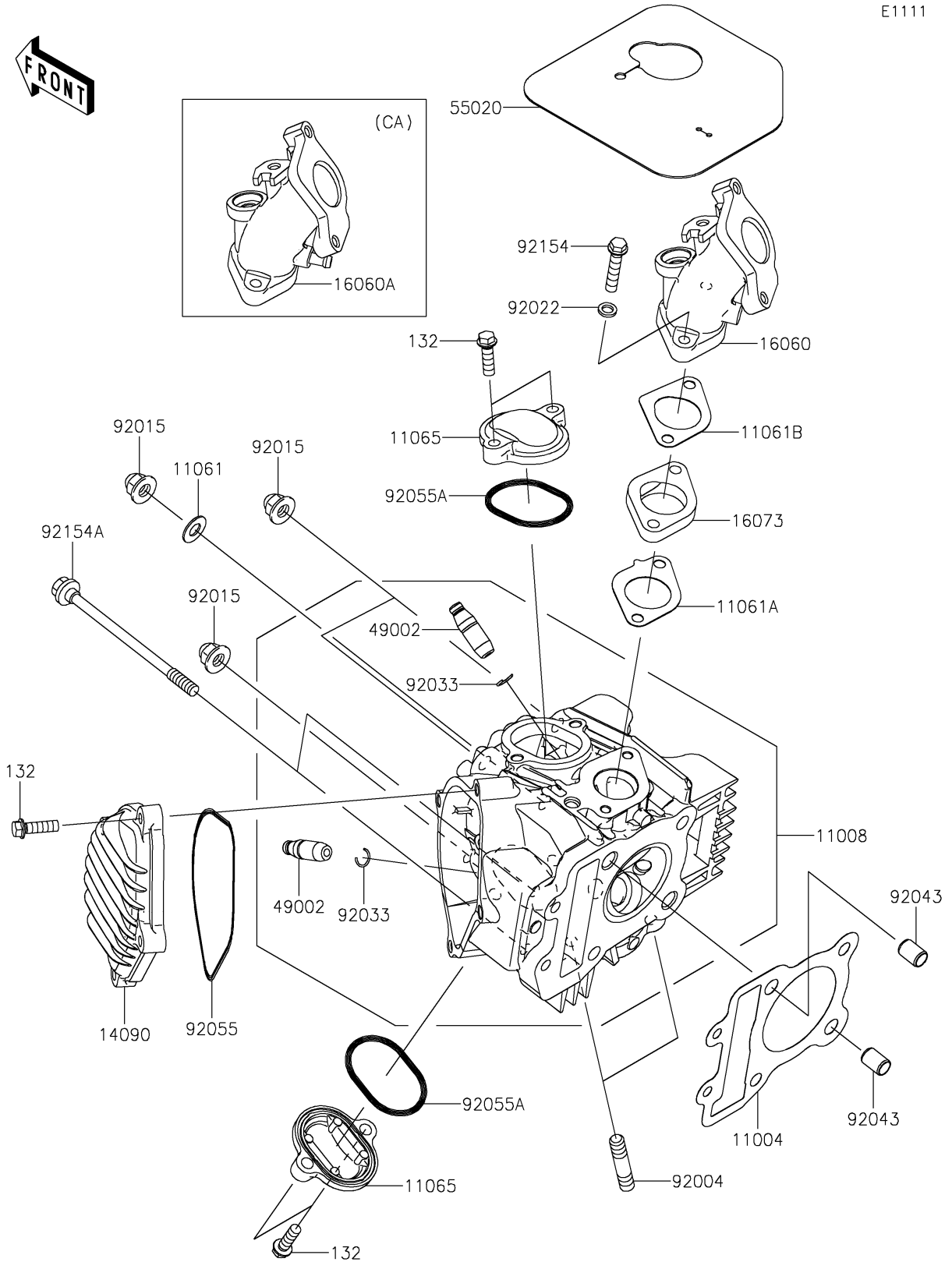


# 2019 Z125 PRO PARTS DIAGRAM

Cylinder Head

E1111



## 2019 Z125 PRO PARTS LIST

### Cylinder Head

| ITEM NAME                              | PART NUMBER | QUANTITY |
|--|-------------|----------|
| GASKET-HEAD (Ref # 11004)              | 11004-0009  | 1        |
| HEAD-COMP-CYLINDER (Ref # 11008)       | 11008-0868  | 1        |
| GASKET (Ref # 11061)                   | 11061-0850  | 1        |
| GASKET,HEAD SIDE (Ref # 11061A)        | 11061-0992  | 1        |
| GASKET,PIPE-INTAKE SIDE (Ref # 11061B) | 11061-0993  | 1        |
| CAP,VALVE ADJUSTING (Ref # 11065)      | 11065-0919  | 2        |
| BOLT-FLANGED-SMALL,6X20 (Ref # 132)    | 132BA0620   | 8        |
| COVER,CAMSHAFT (Ref # 14090)           | 14090-1845  | 1        |
| PIPE-INTAKE (Ref # 16060A)             | 16060-0041  | 1        |
| INSULATOR (Ref # 16073)                | 16073-0858  | 1        |
| GUIDE-VALVE (Ref # 49002)              | 49002-0033  | 2        |
| GUARD,THROTTLE-ASSY (Ref # 55020)      | 55020-1958  | 1        |
| STUD,8X28.5 (Ref # 92004)              | 92004-1284  | 2        |
| NUT,CAP,8MM (Ref # 92015)              | 92015-1151  | 4        |
| WASHER,6.3X10.2X1.6 (Ref # 92022)      | 92022-1588  | 2        |
| RING-SNAP (Ref # 92033)                | 92033-1247  | 2        |
| PIN,8.2X10X14 (Ref # 92043)            | 92043-1264  | 2        |
| RING-O,91X2.5 (Ref # 92055)            | 92055-1651  | 1        |
| RING-O,ADJUST CAP (Ref # 92055A)       | 92055-1655  | 2        |
| BOLT,FLANGED,6X30 (Ref # 92154)        | 92154-1830  | 2        |
| BOLT,6X106 (Ref # 92154A)              | 92154-2693  | 2        |