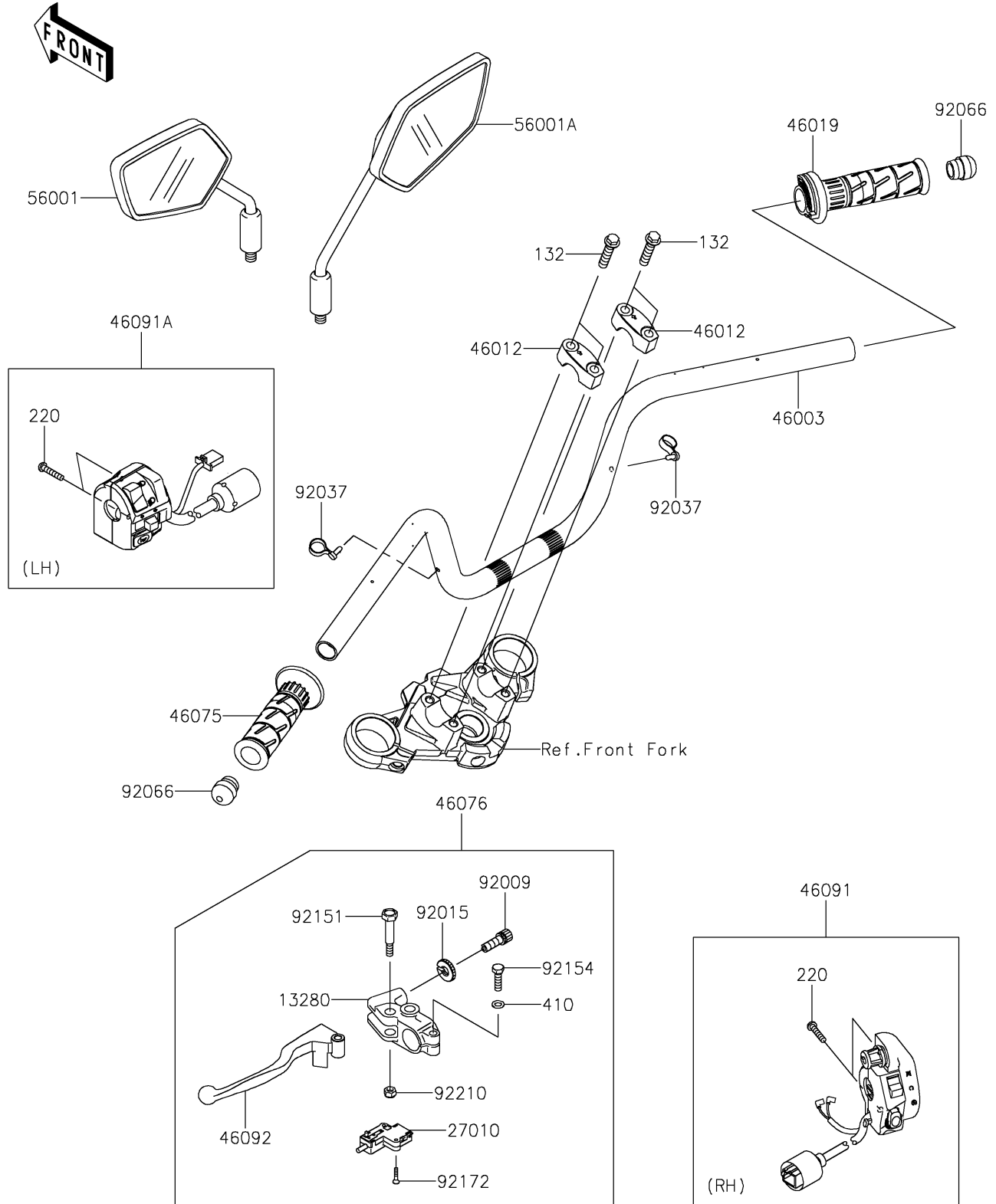


2018 Z125 PRO PARTS DIAGRAM

Handlebar

F2310



2018 Z125 PRO PARTS LIST

Handlebar

ITEM NAME	PART NUMBER	QUANTITY
BOLT-FLANGED-SMALL,8X35 (Ref # 132)	132E0835	4
HOLDER,CLUTCH LEVER (Ref # 13280)	13280-0105	1
SCREW-PAN-CROS,5X25 (Ref # 220)	220AB0525	4
SWITCH,CLUTCH (Ref # 27010)	27010-0729	1
WASHER-PLAIN-SMALL,6MM (Ref # 410)	410AB0600	1
HANDLE,F.S.BLACK (Ref # 46003)	46003-0655-18R	1
HOLDER-HANDLE,UPP,F.S.BLACK (Ref # 46012)	46012-0101-18R	2
GRIP-ASSY,THROTTLE (Ref # 46019)	46019-0047	1
GRIP (Ref # 46075)	46075-0606	1
LEVER-ASSY-GRIP,CLUTCH (Ref # 46076)	46076-0147	1
HOUSING-ASSY-CONTROL,RH (Ref # 46091)	46091-0318	1
HOUSING-ASSY-CONTROL,LH (Ref # 46091A)	46091-0319	1
LEVER-GRIP,CLUTCH (Ref # 46092)	46092-0567	1
MIRROR-ASSY,LH (Ref # 56001)	56001-0312	1
MIRROR-ASSY,RH (Ref # 56001A)	56001-0313	1
SCREW,CABLE ADJUST,8MM,BLACK (Ref # 92009)	92009-1134	1
NUT,CABLE ADJUST LOCK,8MM,BLK (Ref # 92015)	92015-1197	1
CLAMP,SPEED,L=58 (Ref # 92037)	92037-1163	2
PLUG (Ref # 92066)	92066-0825	2
BOLT,LEVER SET (Ref # 92151)	92151-1986	1
BOLT,UPSET,6X22 (Ref # 92154)	92154-1422	1
SCREW-CSK-CROS,3X16 (Ref # 92172)	92172-1187	2
NUT,LOCK,6MM (Ref # 92210)	92210-1551	1