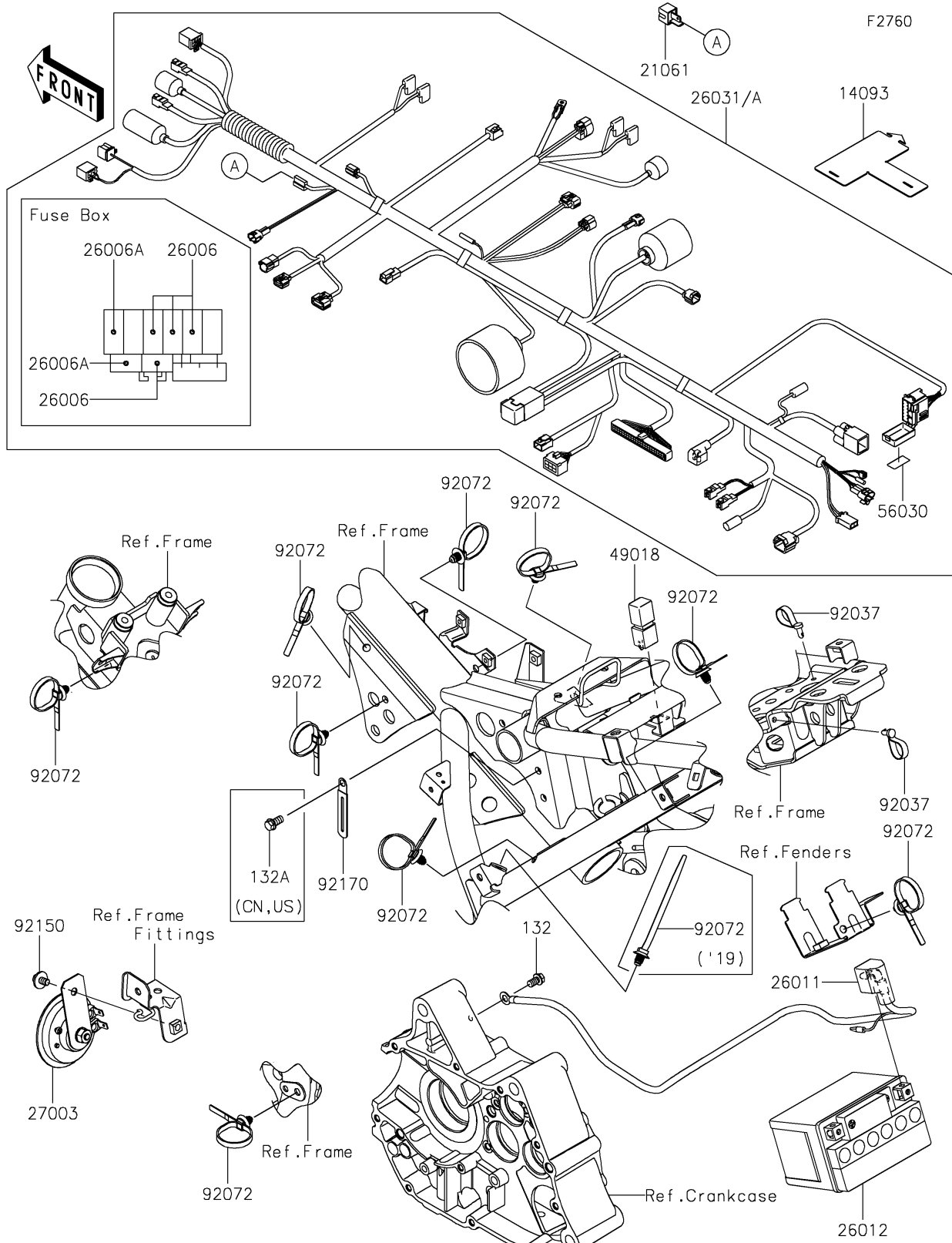


2019 Z125 PRO PARTS DIAGRAM

Chassis Electrical Equipment



2019 Z125 PRO PARTS LIST

Chassis Electrical Equipment

ITEM NAME	PART NUMBER	QUANTITY
BOLT-FLANGED-SMALL,6X10 (Ref # 132)	132BA0610	1
COVER,CONNECTOR (Ref # 14093)	14093-0486	1
RECTIFIER (Ref # 21061)	21061-1003	1
FUSE,MINI BLADE,10A (Ref # 26006)	26006-0031	4
FUSE,MINI BLADE,20A (Ref # 26006A)	26006-0032	2
WIRE-LEAD (Ref # 26011)	26011-0920	1
BATTERY,FTH4L-BS,12V 3AH (Ref # 26012)	26012-0725	1
HARNESS,MAIN (Ref # 26031A)	26031-1996	1
HORN (Ref # 27003)	27003-0120	1
DIODE (Ref # 49018)	49018-0005	1
LABEL,FUSE BOX (Ref # 56030)	56030-0983	1
CLAMP,SPEED,L=58 (Ref # 92037)	92037-1163	2
BAND,OS170-FT7(BLACK) (Ref # 92072)	92072-1414	10
BOLT,6X14 (Ref # 92150)	92150-1340	1
CLAMP (Ref # 92170)	92170-1514	1