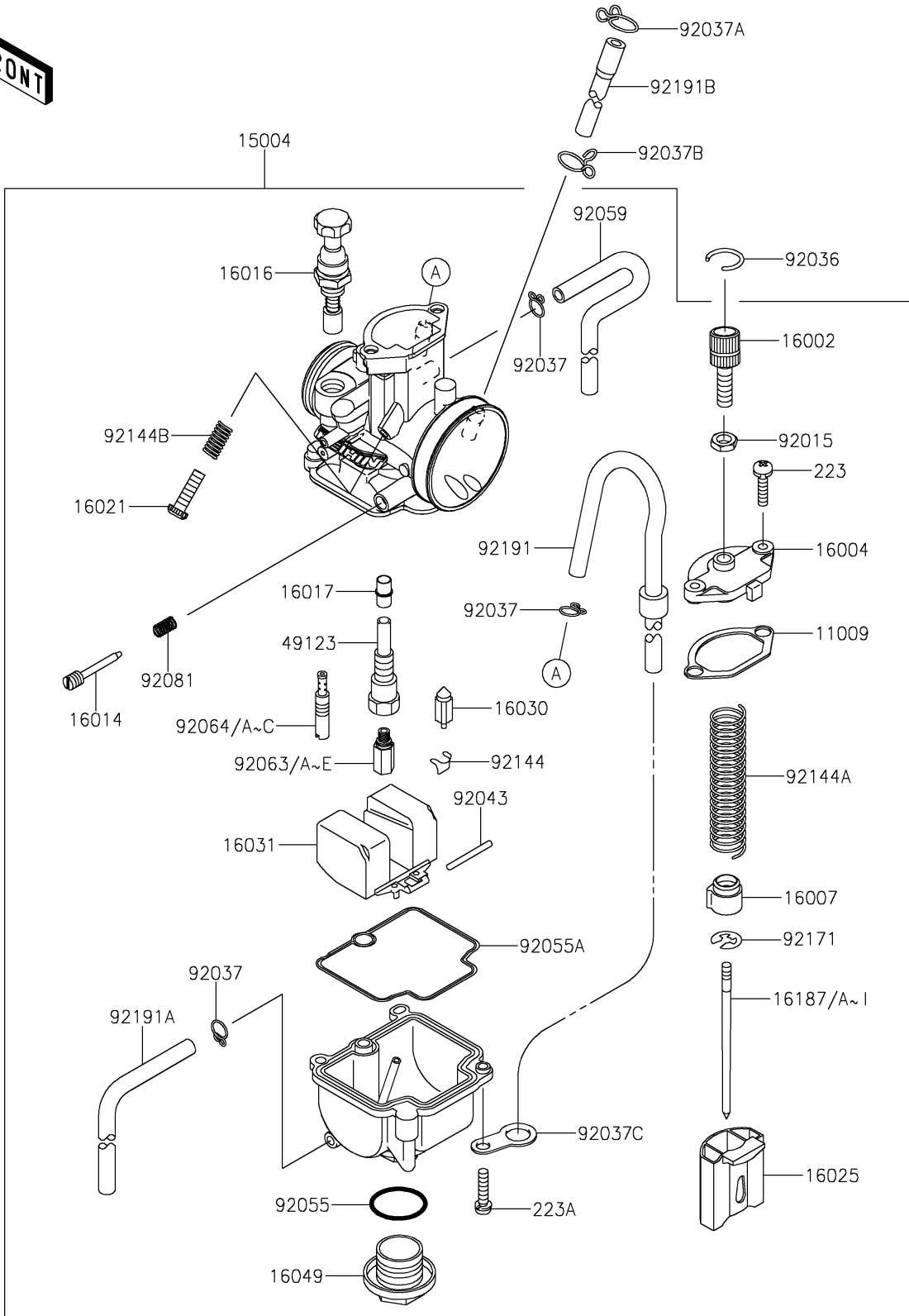


2019 KX™100 PARTS DIAGRAM

Carburetor

E1611



2019 KX™100 PARTS LIST

Carburetor

| ITEM NAME | PART NUMBER | QUANTITY |
|--|-------------|----------|
| GASKET,MIXING CHAMBER (Ref # 11009) | 11009-1759 | 1 |
| CARBURETOR-ASSY,PWK28 (Ref # 15004) | 15004-0859 | 1 |
| ADJUSTER-CABLE (Ref # 16002) | 16002-1056 | 1 |
| CAP-CHAMBER,MIXING (Ref # 16004) | 16004-1065 | 1 |
| SEAT-SPRING,THROTTLE VALVE (Ref # 16007) | 16007-1155 | 1 |
| SCREW-PILOT AIR (Ref # 16014) | 16014-1058 | 1 |
| PLUNGER,STARTER (Ref # 16016) | 16016-1075 | 1 |
| JET-NEEDLE (Ref # 16017) | 16017-1431 | 1 |
| SCREW-THROTTLE STOP (Ref # 16021) | 16021-1161 | 1 |
| VALVE-THROTTLE,CA3.5 (Ref # 16025) | 16025-1220 | 1 |
| VALVE-FLOAT (Ref # 16030) | 16030-1064 | 1 |
| FLOAT (Ref # 16031) | 16031-1065 | 1 |
| COVER-MAIN JET (Ref # 16049) | 16049-1051 | 1 |
| NEEDLE-JET,NRJA (Ref # 16187) | 16187-0557 | 1 |
| NEEDLE-JET,NRJB (Ref # 16187A) | 16187-0558 | 1 |
| NEEDLE-JET,NRJC (Ref # 16187B) | 16187-0559 | 1 |
| NEEDLE-JET,NRJD (Ref # 16187C) | 16187-0560 | 1 |
| NEEDLE-JET,NRJE (Ref # 16187D) | 16187-0561 | 1 |
| NEEDLE-JET,NRKA (Ref # 16187E) | 16187-0562 | 1 |
| NEEDLE-JET,NRKB (Ref # 16187F) | 16187-0563 | 1 |
| NEEDLE-JET,NRKC (Ref # 16187G) | 16187-0564 | 1 |
| NEEDLE-JET,NRKD (Ref # 16187H) | 16187-0565 | 1 |
| NEEDLE-JET,NRKE (Ref # 16187I) | 16187-0566 | 1 |
| HOLDER-MAIN JET (Ref # 49123) | 49123-1054 | 1 |
| NUT,CABLE ADJUST LOCK (Ref # 92015) | 92015-1574 | 1 |
| RING-SNAP (Ref # 92036) | 92036-018 | 1 |
| CLAMP,TUBE (Ref # 92037) | 92037-1396 | 3 |
| CLAMP,TUBE (Ref # 92037A) | 92037-147 | 1 |
| CLAMP (Ref # 92037B) | 92037-1712 | 1 |

2019 KX™100 PARTS LIST

Carburetor

| ITEM NAME | PART NUMBER | QUANTITY |
|---|-------------|----------|
| CLAMP,HOSE (Ref # 92037C) | 92037-1969 | 1 |
| PIN,FLOAT (Ref # 92043) | 92043-1207 | 1 |
| SCREW-PAN-WS-CROS,4X14 (Ref # 223) | 223AB0414 | 2 |
| SCREW-PAN-WS-CROS,4X16 (Ref # 223A) | 223AB0416 | 2 |
| RING-O,MAIN JET COVER (Ref # 92055) | 92055-1167 | 1 |
| RING-O,FLOAT CHAMBER (Ref # 92055A) | 92055-1389 | 1 |
| TUBE,4X7X360 (Ref # 92059) | 92059-1941 | 1 |
| JET-MAIN,#135 (Ref # 92063) | 92063-1338 | 1 |
| JET-MAIN,#138 (Ref # 92063A) | 92063-1359 | 1 |
| JET-MAIN,#140 (Ref # 92063B) | 92063-1360 | 1 |
| JET-MAIN,#142 (Ref # 92063C) | 92063-1361 | 1 |
| JET-MAIN,#145 (Ref # 92063D) | 92063-1362 | 1 |
| JET-MAIN,#150 (Ref # 92063E) | 92063-1364 | 1 |
| JET-PILOT,#35 (Ref # 92064) | 92064-1138 | 1 |
| JET-PILOT,#38 (Ref # 92064A) | 92064-1139 | 1 |
| JET-PILOT,#40 (Ref # 92064B) | 92064-1140 | 1 |
| JET-PILOT,#42 (Ref # 92064C) | 92064-1141 | 1 |
| SPRING,ADJUST SCREW (Ref # 92081) | 92081-1555 | 1 |
| SPRING,FLOAT VALVE (Ref # 92144) | 92144-1178 | 1 |
| SPRING,THROTTLE VALVE (Ref # 92144A) | 92144-1566 | 1 |
| SPRING,THROTTLE STOP SCREW (Ref # 92144B) | 92144-1782 | 1 |
| CLAMP (Ref # 92171) | 92171-1323 | 1 |
| TUBE,4X7X560 (Ref # 92191) | 92191-1243 | 1 |
| TUBE,4X7X420 (Ref # 92191A) | 92191-1591 | 1 |
| TUBE (Ref # 92191B) | 92191-1610 | 1 |