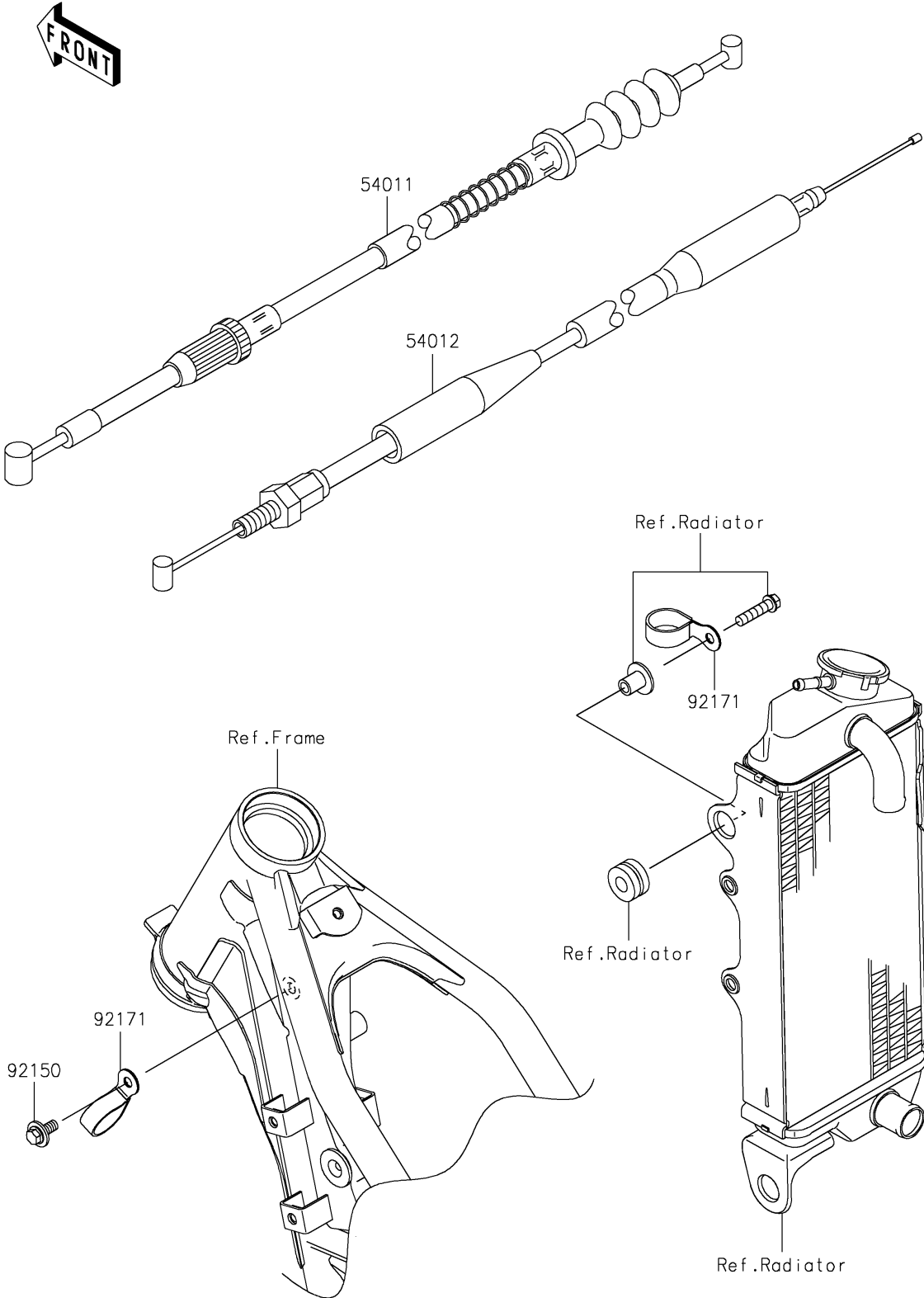


# 2019 KX™100 PARTS DIAGRAM

Cables

F2540



## 2019 KX™100 PARTS LIST

### Cables

| ITEM NAME                    | PART NUMBER | QUANTITY |
|------------------------------|-------------|----------|
| CABLE-CLUTCH (Ref # 54011)   | 54011-0572  | 1        |
| CABLE-THROTTLE (Ref # 54012) | 54012-0595  | 1        |
| BOLT,6X14 (Ref # 92150)      | 92150-1340  | 1        |
| CLAMP (Ref # 92171)          | 92171-1279  | 2        |