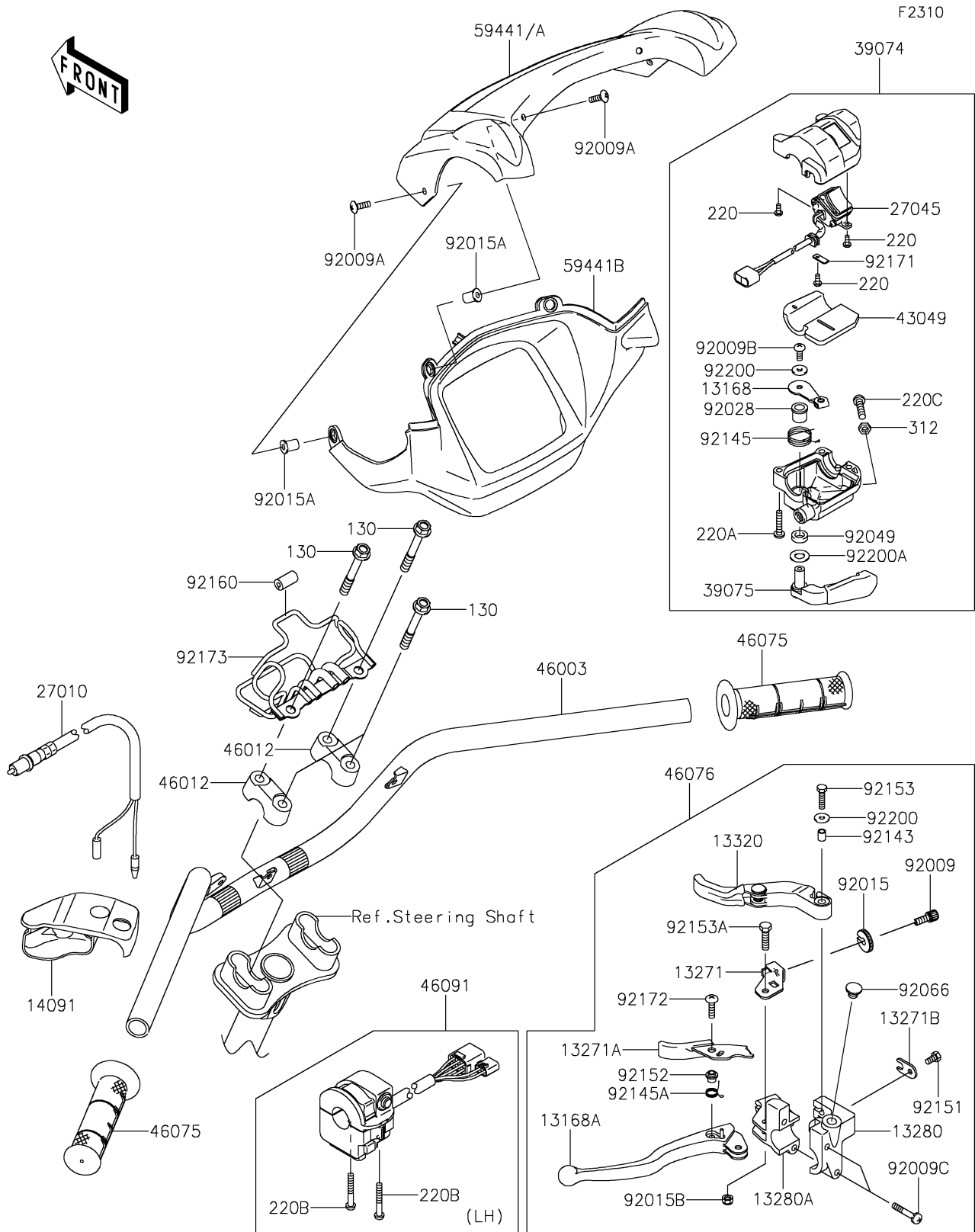


# 2020 BRUTE FORCE® 750 4x4i EPS PARTS DIAGRAM

Handlebar



## 2020 BRUTE FORCE® 750 4x4i EPS PARTS LIST

### Handlebar

| ITEM NAME                               | PART NUMBER    | QUANTITY |
|---|----------------|----------|
| LEVER (Ref # 13168)                     | 13168-1715     | 1        |
| LEVER,LH (Ref # 13168A)                 | 13168-1736     | 1        |
| PLATE,LOCK (Ref # 13271)                | 13271-1259     | 1        |
| PLATE,LEVER LOCK (Ref # 13271A)         | 13271-1635     | 1        |
| PLATE,WIRE OUTER STOPPER (Ref # 13271B) | 13271-1636     | 1        |
| HOLDER,DIFF LOCK LEVER (Ref # 13280)    | 13280-1226     | 1        |
| HOLDER,LEVER,LH (Ref # 13280A)          | 13280-1227     | 1        |
| LEVER-ASSY,DIFF LOCK (Ref # 13320)      | 13320-1018     | 1        |
| COVER,DIFF LOCK LEVER (Ref # 14091)     | 14091-1403     | 1        |
| SWITCH,BRAKE (Ref # 27010)              | 27010-1294     | 1        |
| SWITCH-ASSY (Ref # 27045)               | 27045-0010     | 1        |
| LEVER-ASSY-THROTTLE (Ref # 39074)       | 39074-0002     | 1        |
| LEVER-THROTTLE (Ref # 39075)            | 39075-1062     | 1        |
| PACKING (Ref # 43049)                   | 43049-1088     | 1        |
| HANDLE (Ref # 46003)                    | 46003-1580     | 1        |
| HOLDER-HANDLE (Ref # 46012)             | 46012-1168     | 2        |
| GRIP (Ref # 46075)                      | 46075-0065     | 2        |
| LEVER-ASSY-GRIP,DIFF LOCK (Ref # 46076) | 46076-1238     | 1        |
| HOUSING-ASSY-CONTROL (Ref # 46091)      | 46091-0243     | 1        |
| COVER-HANDLE,FR,V.BLUE (Ref # 59441)    | 59441-0005-40D | 1        |
| COVER-HANDLE,FR,S.BLACK (Ref # 59441A)  | 59441-0005-839 | 1        |
| COVER-HANDLE,RR,F.BLACK (Ref # 59441B)  | 59441-0006-6Z  | 1        |
| SCREW,CABLE ADJUST,8MM (Ref # 92009)    | 92009-1435     | 1        |
| SCREW,5X16,BLACK (Ref # 92009A)         | 92009-1654     | 4        |
| SCREW (Ref # 92009B)                    | 92009-1959     | 1        |
| SCREW,6X30 (Ref # 92009C)               | 92009-1961     | 2        |
| NUT,CABLE ADJUST LOCK,8MM (Ref # 92015) | 92015-1596     | 1        |
| NUT,WELL,5MM (Ref # 92015A)             | 92015-1757     | 4        |
| NUT (Ref # 92015B)                      | 92015-1829     | 1        |

## 2020 BRUTE FORCE® 750 4x4i EPS PARTS LIST

### Handlebar

| ITEM NAME                             | PART NUMBER | QUANTITY |
|---------------------------------------|-------------|----------|
| BUSHING (Ref # 92028)                 | 92028-1986  | 1        |
| SEAL-OIL (Ref # 92049)                | 92049-1578  | 1        |
| PLUG,9.5X8,POLYETHYLENE (Ref # 92066) | 92066-1077  | 1        |
| COLLAR (Ref # 92143)                  | 92143-1216  | 1        |
| SPRING (Ref # 92145)                  | 92145-1392  | 1        |
| SPRING (Ref # 92145A)                 | 92145-1429  | 1        |
| BOLT,5X10 (Ref # 92151)               | 92151-1975  | 1        |
| COLLAR (Ref # 92152)                  | 92152-1176  | 1        |
| BOLT,5X20 (Ref # 92153)               | 92153-1129  | 1        |
| BOLT (Ref # 92153A)                   | 92153-1919  | 1        |
| DAMPER,4.5X11X20 (Ref # 92160)        | 92160-1074  | 1        |
| BOLT-FLANGED,8X60 (Ref # 130)         | 130CA0860   | 4        |
| SCREW-PAN-CROS,3X8 (Ref # 220)        | 220AA0308   | 3        |
| SCREW-PAN-CROS,5X25 (Ref # 220A)      | 220AB0525   | 3        |
| SCREW-PAN-CROS,5X35 (Ref # 220B)      | 220AB0535   | 2        |
| SCREW-PAN-CROS,6X25 (Ref # 220C)      | 220AB0625   | 1        |
| NUT-HEX,6MM,BLACK (Ref # 312)         | 312AB0600   | 1        |
| CLAMP (Ref # 92171)                   | 92171-1344  | 1        |
| SCREW,5X20 (Ref # 92172)              | 92172-0078  | 1        |
| CLAMP (Ref # 92173)                   | 92173-0741  | 1        |
| WASHER (Ref # 92200)                  | 92200-1558  | 2        |
| WASHER (Ref # 92200A)                 | 92200-1559  | 1        |