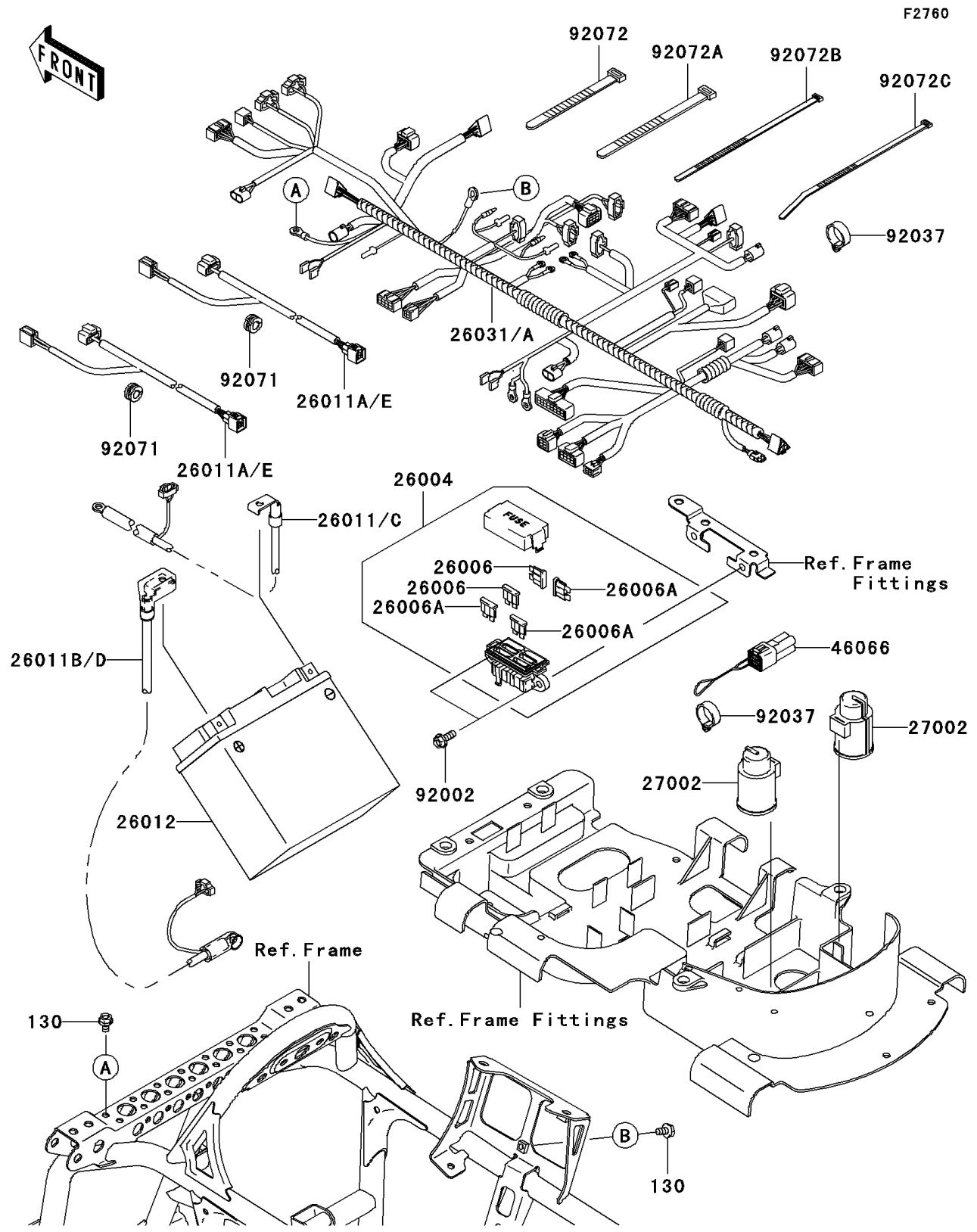


# 2007 Brute Force 650 4x4i Hardwoods Green HD PARTS DIAGRAM

## Chassis Electrical Equipment



## 2007 Brute Force 650 4x4i Hardwoods Green HD PARTS LIST

### Chassis Electrical Equipment

ITEM NAME	PART NUMBER	QUANTITY
BOLT-FLANGED,6X10 (Ref # 130)	130BB0610	2
FUSE-ASSY (Ref # 26004)	26004-0011	1
FUSE,30A (Ref # 26006)	26006-0004	2
FUSE,10A (Ref # 26006A)	26006-0005	3
WIRE-LEAD,BATTERY(-) (Ref # 26011C)	26011-0137	1
WIRE-LEAD,BATTERY(+) (Ref # 26011D)	26011-0138	1
WIRE-LEAD,HEAD LAMP (Ref # 26011E)	26011-0141	2
BATTERY,MF,KMX14-BS,12V 12AH (Ref # 26012)	26012-1414	1
HARNESS,MAIN (Ref # 26031A)	26031-0441	1
RELAY-ASSY (Ref # 27002)	27002-1095	2
CONNECTOR-ASSY,RESET (Ref # 46066)	46066-0001	1
BOLT,6X16 (Ref # 92002)	92002-1571	2
CLAMP,HOSE (Ref # 92037)	92037-1827	10
GROMMET (Ref # 92071)	92071-1128	2
BAND,L=123 (Ref # 92072)	92072-030	3
BAND,L=149 (Ref # 92072A)	92072-031	1
BAND,L=188 (Ref # 92072B)	92072-1239	4
BAND,L=292.1 (Ref # 92072C)	92072-3509	1