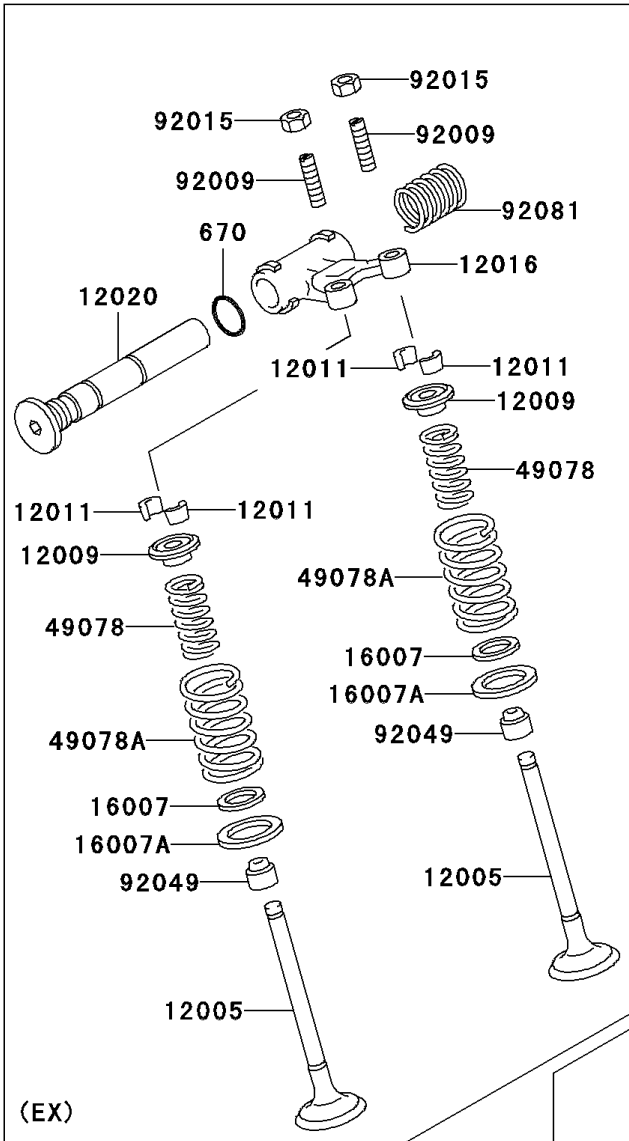


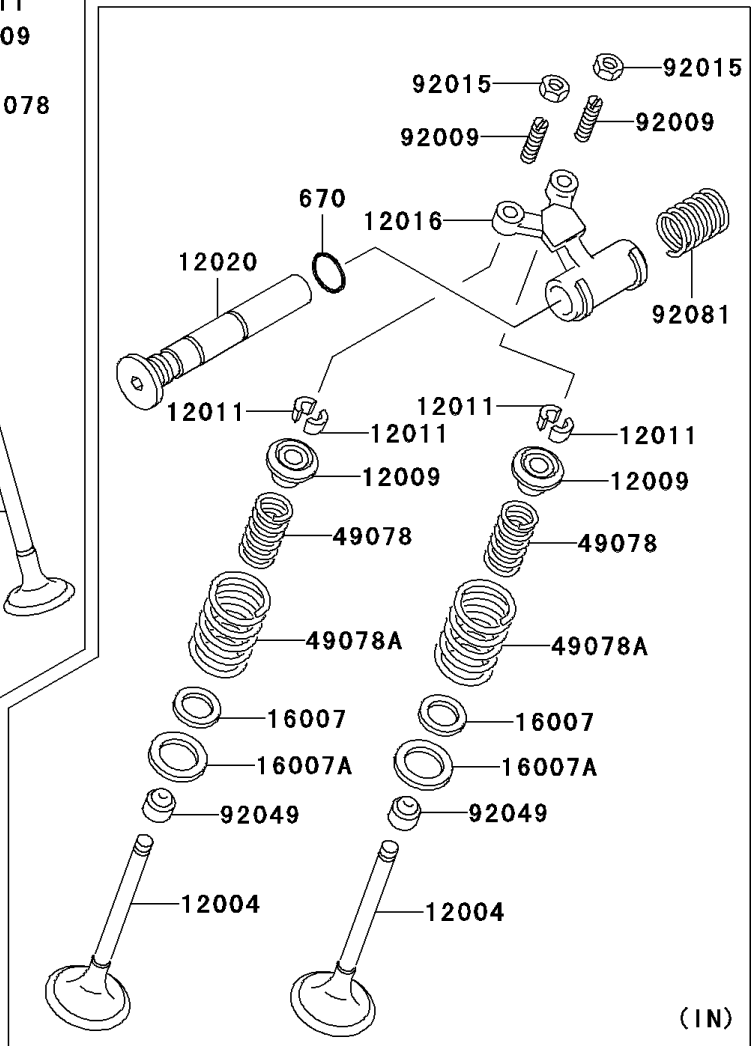
# 2007 Vulcan 500 LTD PARTS DIAGRAM

Valve(s)

E1210



(EX)



(IN)

## 2007 Vulcan 500 LTD PARTS LIST

Valve(s)

ITEM NAME	PART NUMBER	QUANTITY
O RING,16MM (Ref # 670)	670D2016	4
VALVE-INTAKE (Ref # 12004)	12004-1119	4
VALVE-EXHAUST (Ref # 12005)	12005-1052	4
RETAINER-VALVE SPRING (Ref # 12009)	12009-1054	8
COLLET (Ref # 12011)	12011-1003	16
ARM-ROCKER (Ref # 12016)	12016-1118	4
SHAFT-ROCKER (Ref # 12020)	12020-1057	4
SEAT-SPRING,12.1X16.2X0.5 (Ref # 16007)	16007-1177	8
SEAT-SPRING,17.5X23.8X0.5 (Ref # 16007A)	16007-1178	8
SPRING-ENGINE VALVE,INNER (Ref # 49078)	49078-1051	8
SPRING-ENGINE VALVE,OUTER (Ref # 49078A)	49078-1052	8
SCREW,7MM (Ref # 92009)	92009-1279	8
NUT,7MM (Ref # 92015)	92015-1325	8
SEAL-OIL,RVC2-5.5X8.5X8.3 (Ref # 92049)	92049-1062	8
SPRING,ROCKER ARM (Ref # 92081)	92081-1636	4