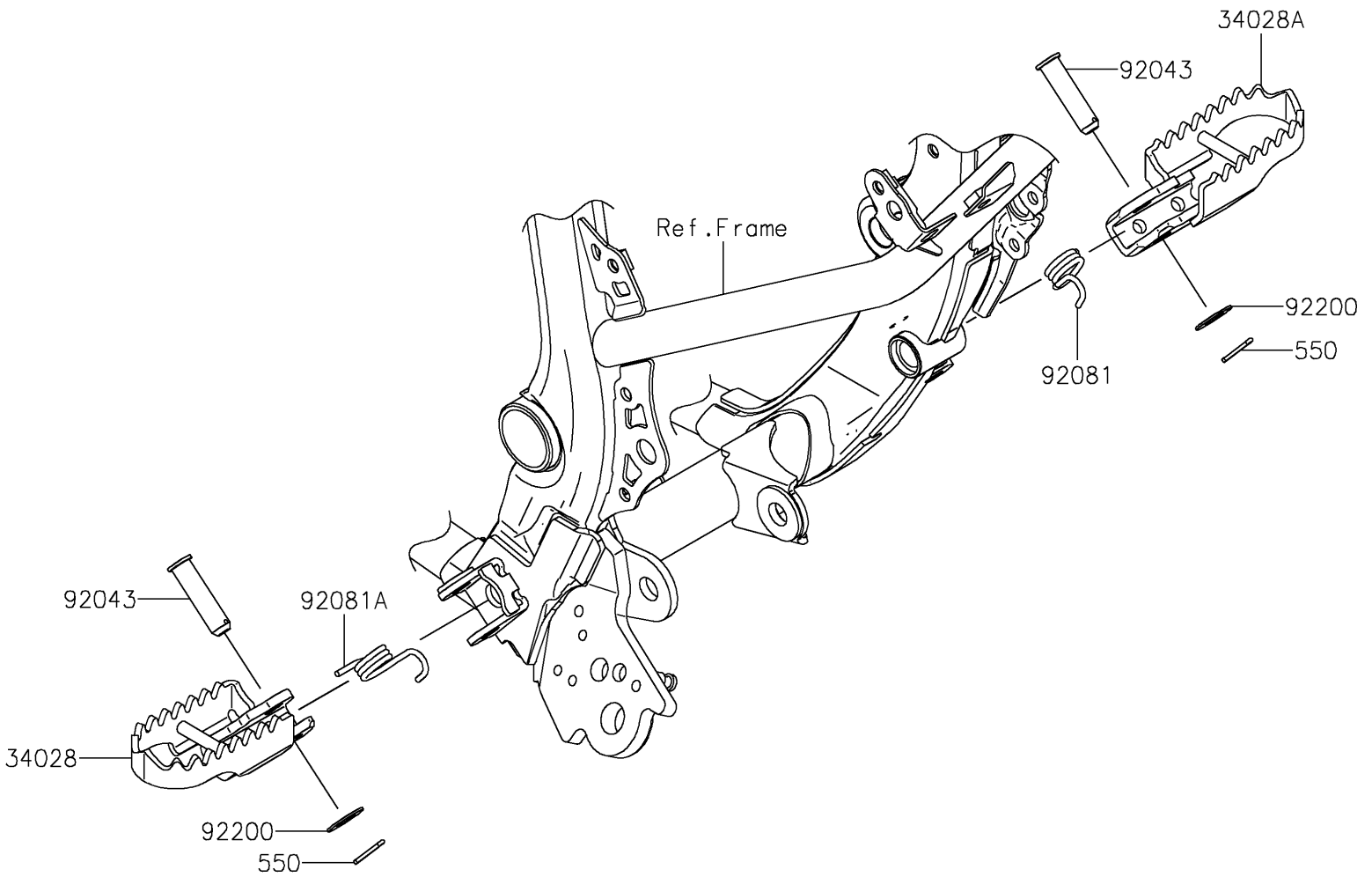


2020 KLX[®] 230R PARTS DIAGRAM

Footrests

F2160



2020 KLX® 230R PARTS LIST

Footrests

ITEM NAME	PART NUMBER	QUANTITY
STEP,LH (Ref # 34028)	34028-0369	1
STEP,RH (Ref # 34028A)	34028-0371	1
PIN-COTTER,2.0X18 (Ref # 550)	550AA2018	2
PIN,10X35 (Ref # 92043)	92043-0744	2
SPRING,STEP,RH (Ref # 92081)	92081-1606	1
SPRING,STEP,LH (Ref # 92081A)	92081-1607	1
WASHER,10.5X20X1.0 (Ref # 92200)	92200-0870	2