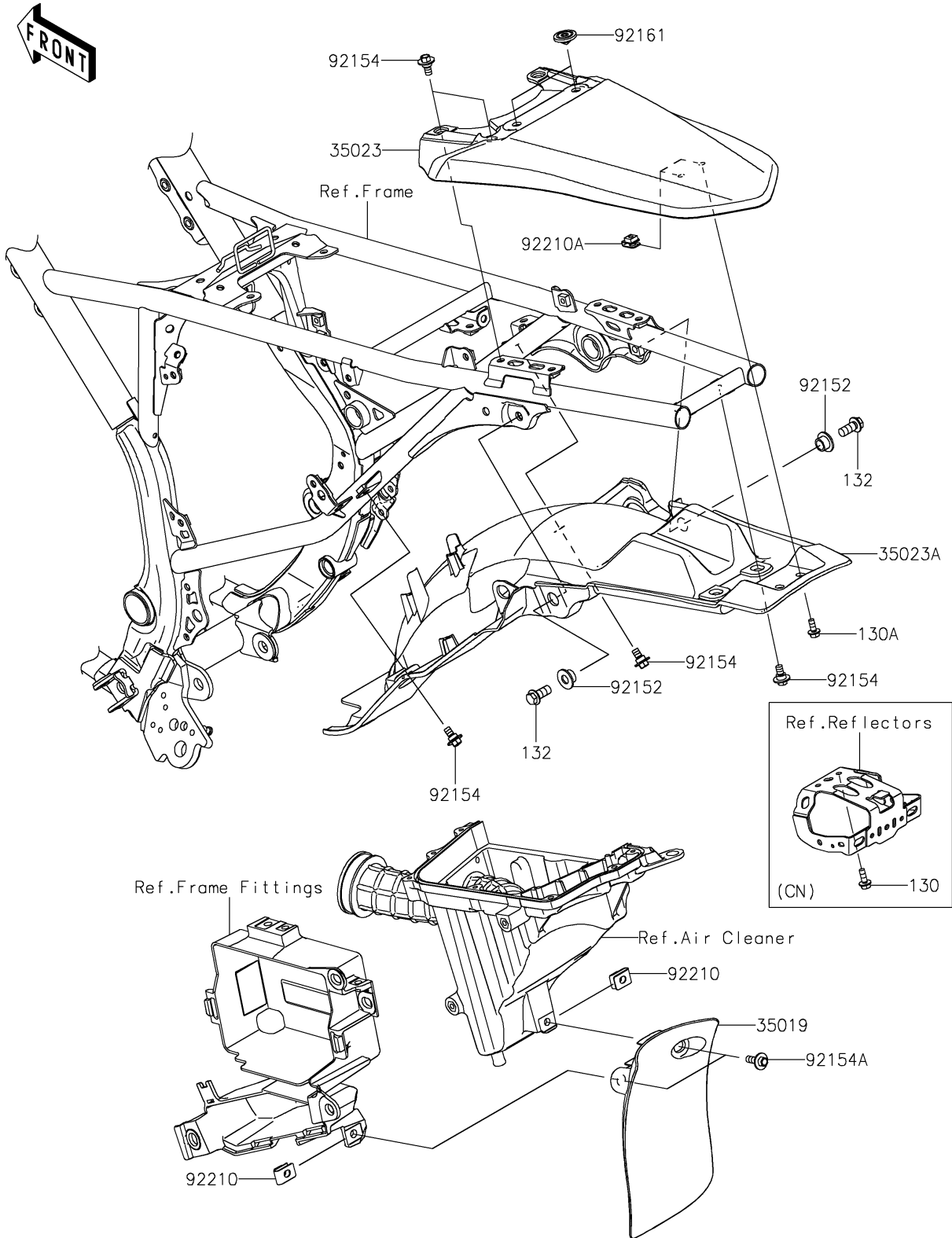


2020 KLX® 230R PARTS DIAGRAM

Rear Fender(s)

F2172



2020 KLX® 230R PARTS LIST

Rear Fender(s)

ITEM NAME	PART NUMBER	QUANTITY
BOLT-FLANGED,5X14 (Ref # 130)	130BA0514	2
BOLT-FLANGED,5X12 (Ref # 130A)	130BB0512	2
BOLT-FLANGED-SMALL,8X18 (Ref # 132)	132BA0818	2
FLAP (Ref # 35019)	35019-0664	1
FENDER-REAR,L.GREEN (Ref # 35023)	35023-0451-290	1
FENDER-REAR (Ref # 35023A)	35023-0452	1
COLLAR (Ref # 92152)	92152-2542	2
BOLT,FLANGED,6X9 (Ref # 92154)	92154-0546	8
BOLT,FLANGED,6X28 (Ref # 92154A)	92154-1739	2
DAMPER,8X22X10 (Ref # 92161)	92161-1685	2
NUT,6MM (Ref # 92210)	92210-0218	2
NUT,PLATE,5MM (Ref # 92210A)	92210-0262	2