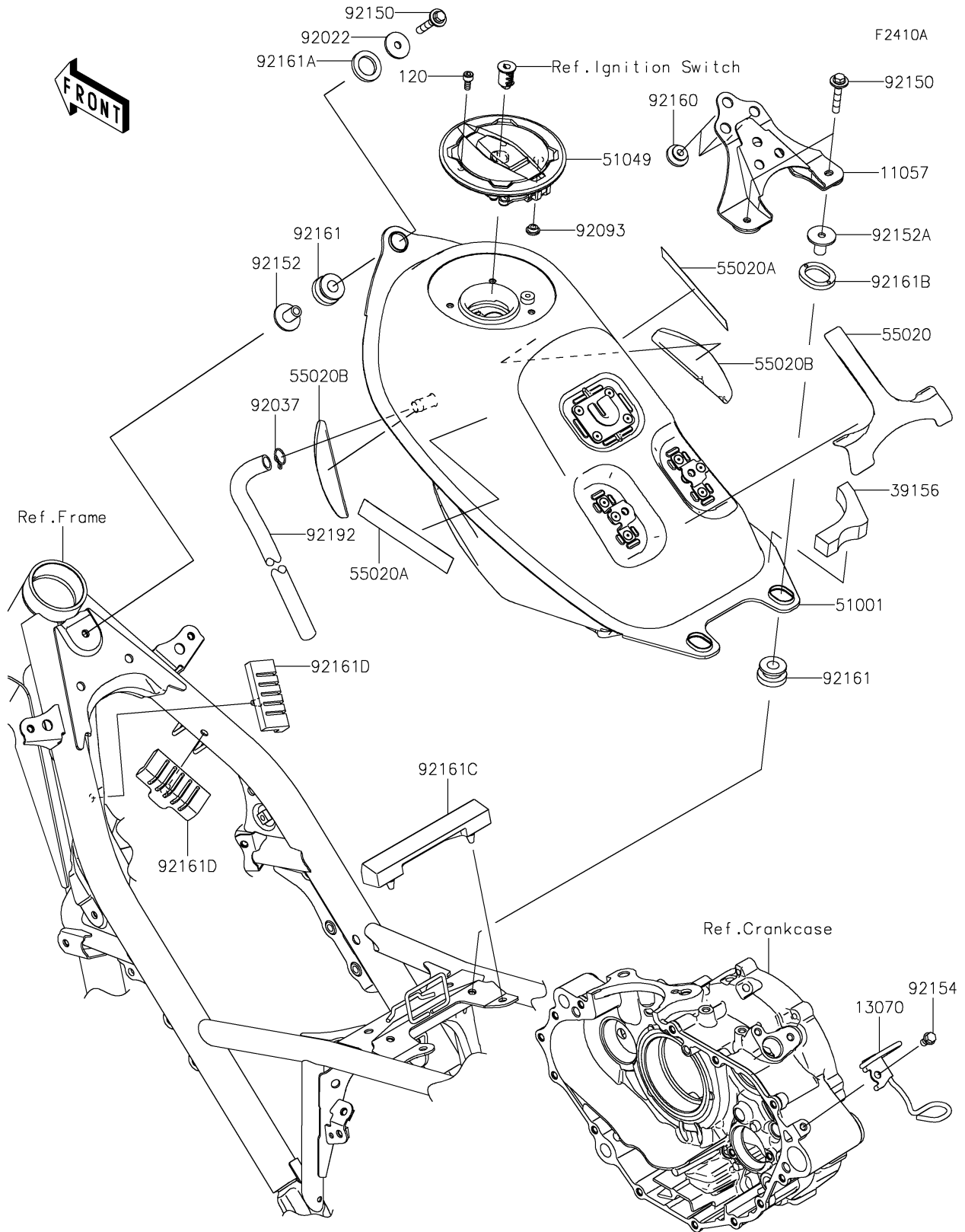


# 2020 KLX® 230R PARTS DIAGRAM

Fuel Tank(CA)



## 2020 KLX® 230R PARTS LIST

### Fuel Tank(CA)

ITEM NAME	PART NUMBER	QUANTITY
BRACKET (Ref # 11057)	11057-4023	1
GUIDE (Ref # 13070)	13070-0909	1
PAD (Ref # 39156)	39156-2463	1
TANK-COMP-FUEL,F.S.BLACK (Ref # 51001)	51001-0876-25Q	1
CAP-TANK (Ref # 51049)	51049-0735	1
GUARD,FUEL TANK,UPP (Ref # 55020)	55020-2303	1
GUARD,FUEL TANK,SIDE L&R (Ref # 55020A)	55020-2304	2
GUARD,FUEL TANK,LWR (Ref # 55020B)	55020-2305	2
WASHER,6.5X24X2 (Ref # 92022)	92022-1690	1
CLAMP,12.5MM (Ref # 92037)	92037-1271	1
SEAL,FUEL TANK CAP (Ref # 92093)	92093-1030	1
BOLT,FLANGED,6X35 (Ref # 92150)	92150-1527	3
COLLAR,6.8X10X16 (Ref # 92152)	92152-2666	1
COLLAR (Ref # 92152A)	92152-2678	2
BOLT,FLANGED,6X10 (Ref # 92154)	92154-0459	1
DAMPER (Ref # 92160)	92160-1613	3
DAMPER,FUEL TANK (Ref # 92161)	92161-1392	3
DAMPER (Ref # 92161A)	92161-2216	1
DAMPER (Ref # 92161B)	92161-2217	2
DAMPER (Ref # 92161C)	92161-2231	1
BOLT-SOCKET,5X12 (Ref # 120)	120CA0512	4
DAMPER (Ref # 92161D)	92161-2286	2
TUBE,DRAIN (Ref # 92192)	92192-2305	1