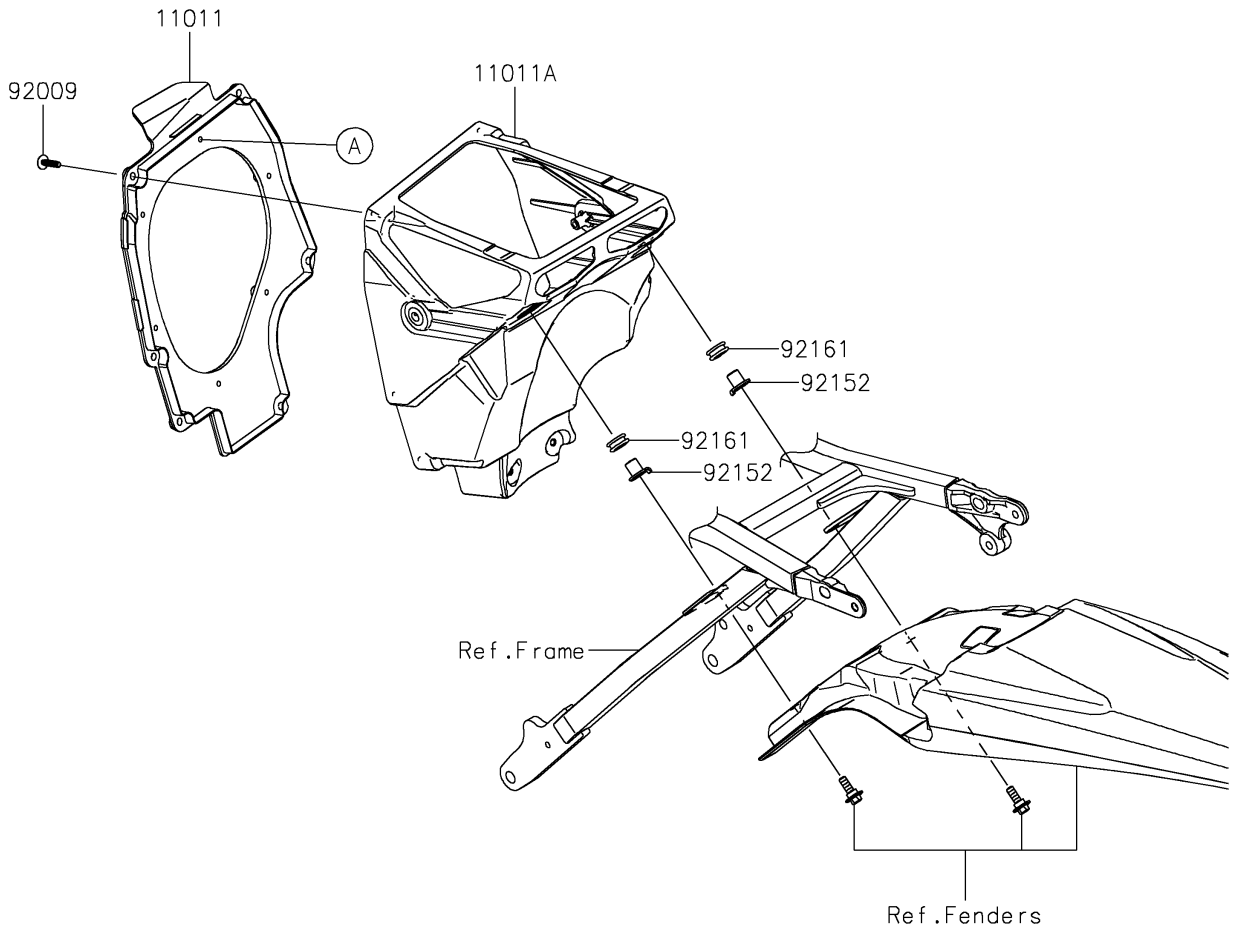
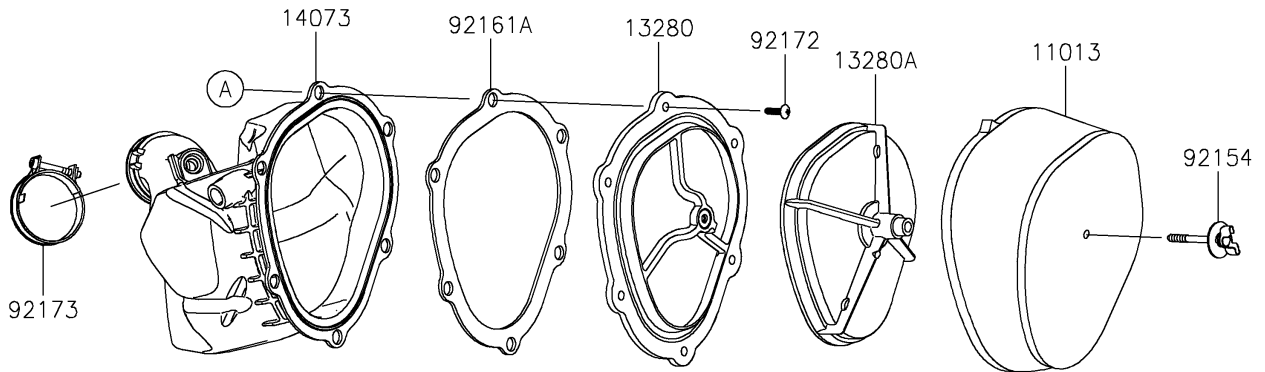


# 2020 KX250 PARTS DIAGRAM

Air Cleaner

E1130



## 2020 KX250 PARTS LIST

### Air Cleaner

ITEM NAME	PART NUMBER	QUANTITY
CASE-AIR FILTER,FR,L.GREEN (Ref # 11011)	11011-0850-290	1
CASE-AIR FILTER,RR,L.GREEN (Ref # 11011A)	11011-0851-290	1
ELEMENT-AIR FILTER (Ref # 11013)	11013-0766	1
HOLDER,ELEMENT BASE (Ref # 13280)	13280-0836	1
HOLDER,ELEMENT (Ref # 13280A)	13280-0893	1
DUCT (Ref # 14073)	14073-0940	1
SCREW,TAPPING,5X20 (Ref # 92009)	92009-1993	6
COLLAR (Ref # 92152)	92152-2126	2
BOLT,6X58 (Ref # 92154)	92154-1731	1
DAMPER (Ref # 92161)	92161-0266	2
DAMPER (Ref # 92161A)	92161-1776	1
SCREW,TAPPING,5X20 (Ref # 92172)	92172-0382	6
CLAMP (Ref # 92173)	92173-2139	1