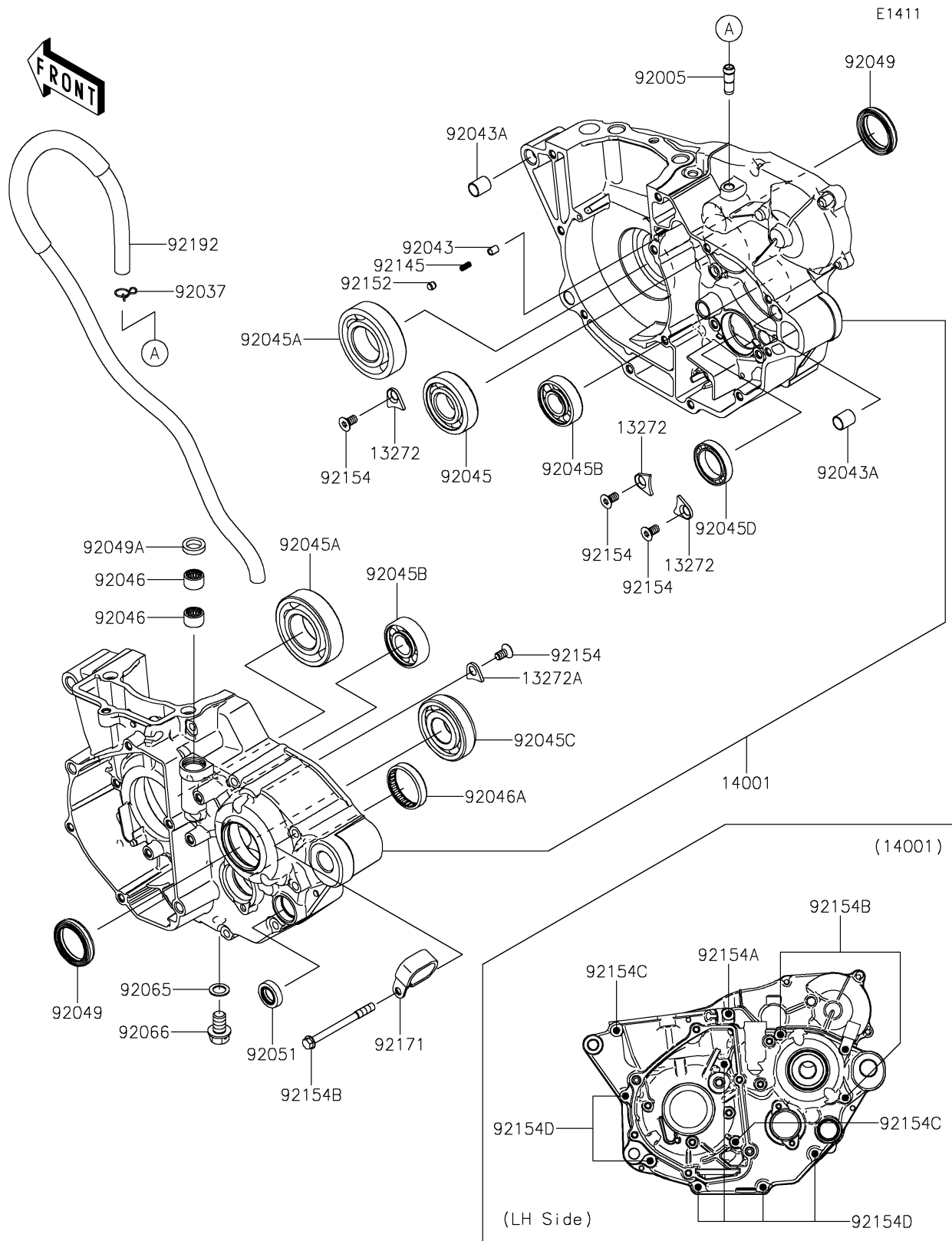


2020 KX250 PARTS DIAGRAM

Crankcase



2020 KX250 PARTS LIST

Crankcase

ITEM NAME	PART NUMBER	QUANTITY
PLATE (Ref # 13272)	13272-0488	3
PLATE (Ref # 13272A)	13272-0670	1
SET-CRANKCASE (Ref # 14001)	14001-0721	1
FITTING (Ref # 92005)	92005-1369	1
CLAMP,TUBE (Ref # 92037)	92037-1972	1
PIN,PLUNGER (Ref # 92043)	92043-1676	1
PIN,10.1X12X14 (Ref # 92043A)	92043-4009	2
BEARING-BALL,22X50X14 (Ref # 92045)	92045-0051	1
BEARING-BALL,CRANKSHAFT MAIN (Ref # 92045A)	92045-0827	2
BEARING-BALL,TMB203LU (Ref # 92045B)	92045-1287	2
BEARING-BALL,SX04A81C3 (Ref # 92045C)	92045-1335	1
BEARING-BALL,6805JRZ (Ref # 92045D)	92045-1432	1
BEARING-NEEDLE,HK1210FM (Ref # 92046)	92046-0034	2
BEARING-NEEDLE,7E-HKS33X38X8 (Ref # 92046A)	92046-1221	1
SEAL-OIL,TC 30 40 7 (Ref # 92049)	92049-0030	2
SEAL-OIL,AG0353-F0 (Ref # 92049A)	92049-1262	1
SEAL-OIL,TB13225.5 (Ref # 92051)	92051-005	1
GASKET,10.5X16X1 (Ref # 92065)	92065-058	1
PLUG,DRAIN (Ref # 92066)	92066-1437	1
SPRING (Ref # 92145)	92145-0453	1
COLLAR (Ref # 92152)	92152-2453	1
BOLT,TORX (Ref # 92154)	92154-1621	4
BOLT,FLANGED,6X65 (Ref # 92154A)	92154-1929	1
BOLT,FLANGED,6X70 (Ref # 92154B)	92154-1930	3
BOLT,FLANGED,6X50 (Ref # 92154C)	92154-2097	2
BOLT,FLANGED,6X60 (Ref # 92154D)	92154-2098	6
CLAMP (Ref # 92171)	92171-0594	1
TUBE,BREATHER (Ref # 92192)	92192-1658	1