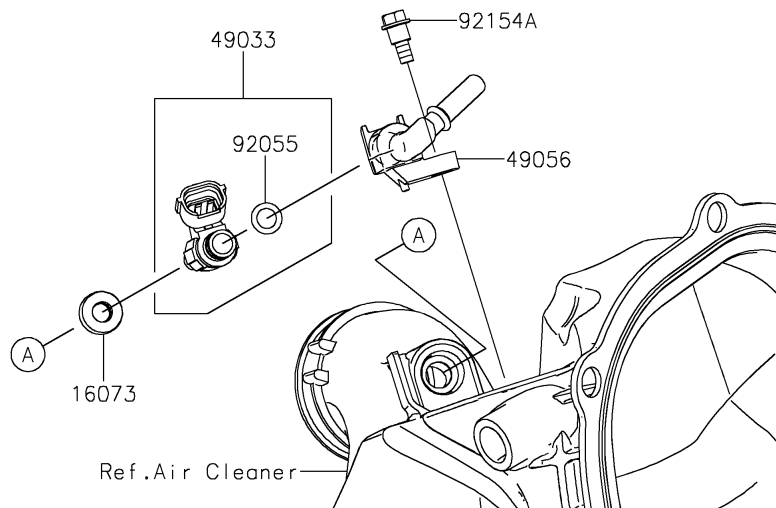
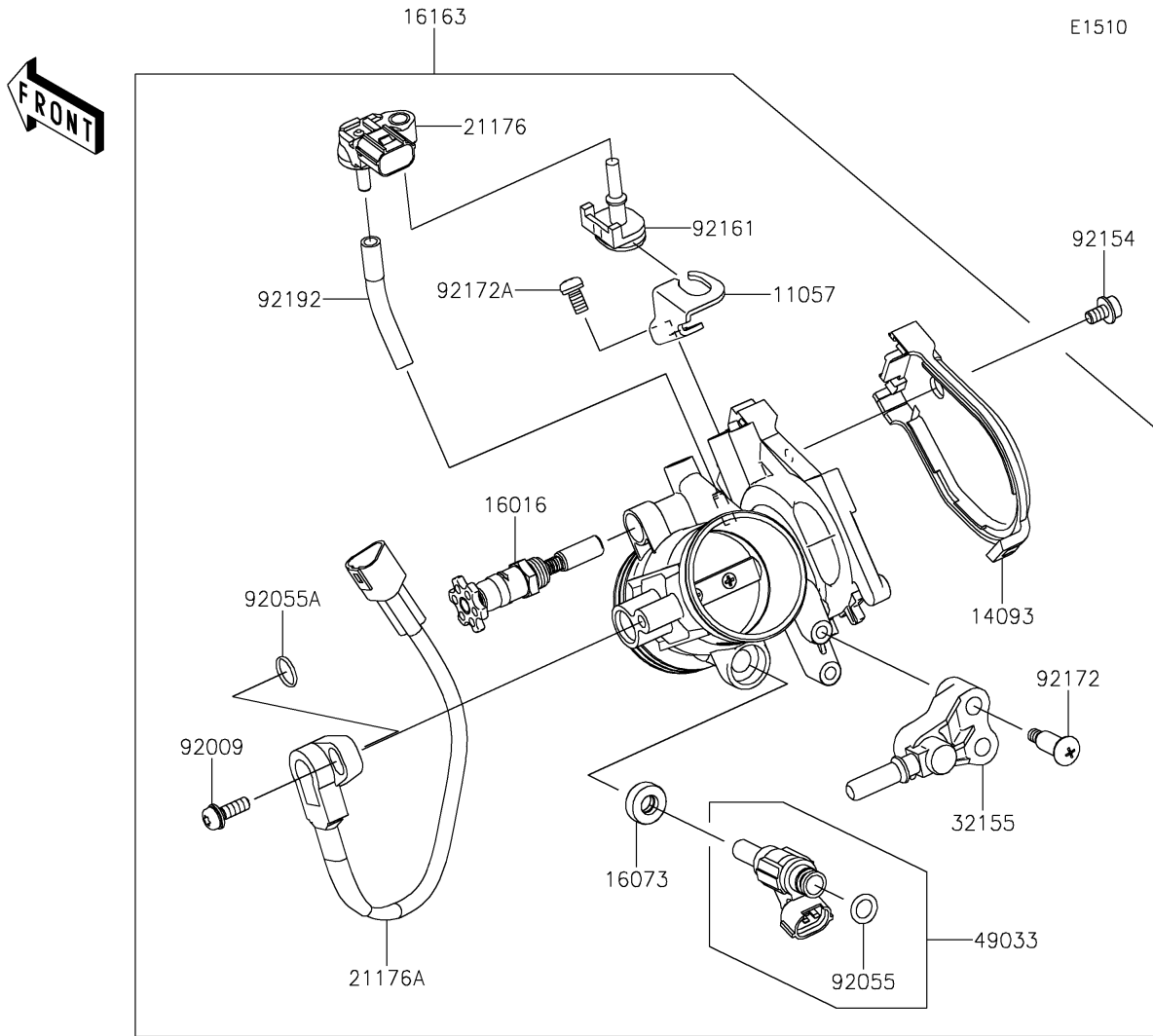


# 2020 KX250 PARTS DIAGRAM

Throttle



## 2020 KX250 PARTS LIST

### Throttle

| ITEM NAME                               | PART NUMBER | QUANTITY |
|---|-------------|----------|
| BRACKET (Ref # 11057)                   | 11057-4080  | 1        |
| COVER,THROTTLE DUST (Ref # 14093)       | 14093-0431  | 1        |
| PLUNGER (Ref # 16016)                   | 16016-0027  | 1        |
| INSULATOR (Ref # 16073)                 | 16073-0129  | 2        |
| THROTTLE-ASSY (Ref # 16163)             | 16163-1136  | 1        |
| SENSOR,PRESSURE (Ref # 21176)           | 21176-0111  | 1        |
| SENSOR,THROTTLE POSITION (Ref # 21176A) | 21176-0840  | 1        |
| PIPE,FUEL (Ref # 32155)                 | 32155-4104  | 1        |
| NOZZLE-INJECTION (Ref # 49033)          | 49033-0556  | 2        |
| PIPE-INJECTION (Ref # 49056)            | 49056-0048  | 1        |
| SCREW,THROTTLE SENSOR (Ref # 92009)     | 92009-1981  | 1        |
| RING-O,INJECTION NOZZLE (Ref # 92055)   | 92055-0124  | 2        |
| RING-O (Ref # 92055A)                   | 92055-1671  | 1        |
| BOLT (Ref # 92154)                      | 92154-0133  | 1        |
| BOLT,FLANGED,5X8 (Ref # 92154A)         | 92154-1021  | 1        |
| DAMPER (Ref # 92161)                    | 92161-0673  | 1        |
| SCREW,PIPE INJECTION (Ref # 92172)      | 92172-0064  | 2        |
| SCREW (Ref # 92172A)                    | 92172-0393  | 1        |
| TUBE,3.5X55 (Ref # 92192)               | 92192-2334  | 1        |