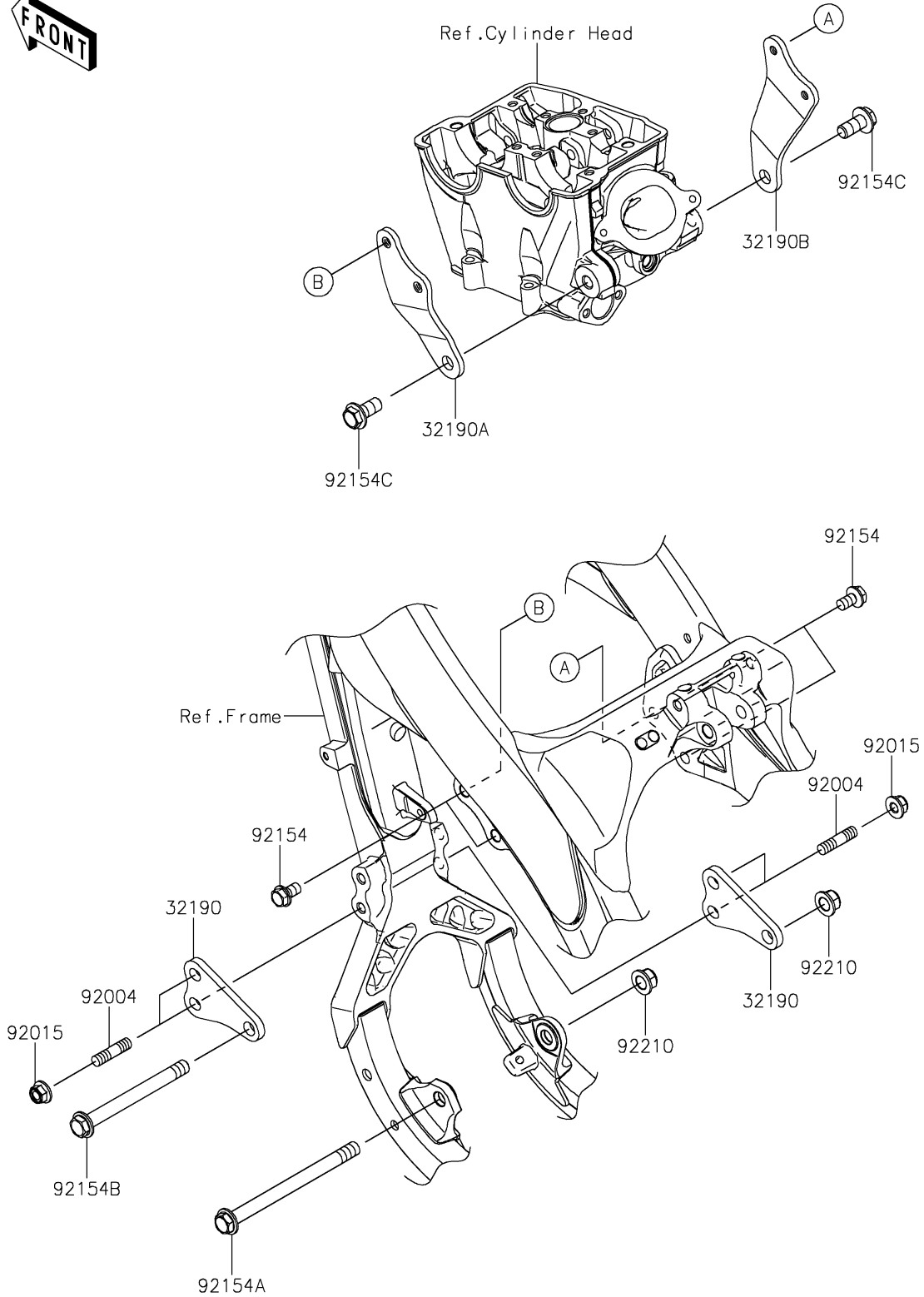


2020 KX250 PARTS DIAGRAM

Engine Mount

F2122



2020 KX250 PARTS LIST

Engine Mount

ITEM NAME	PART NUMBER	QUANTITY
BRACKET-ENGINE,FR (Ref # 32190)	32190-0714	2
BRACKET-ENGINE,UPP,LH (Ref # 32190A)	32190-0811	1
BRACKET-ENGINE,UPP,RH (Ref # 32190B)	32190-0812	1
STUD,8X18/16 (Ref # 92004)	92004-0789	4
NUT,8MM (Ref # 92015)	92015-1432	4
BOLT,FLANGED,8X14 (Ref # 92154)	92154-0380	4
BOLT,FLANGED,10X130 (Ref # 92154A)	92154-0517	1
BOLT,FLANGED,10X104 (Ref # 92154B)	92154-2156	1
BOLT,FLANGED,10X21.5 (Ref # 92154C)	92154-3993	2
NUT,LOCK,FLANGED,10MM (Ref # 92210)	92210-1080	2