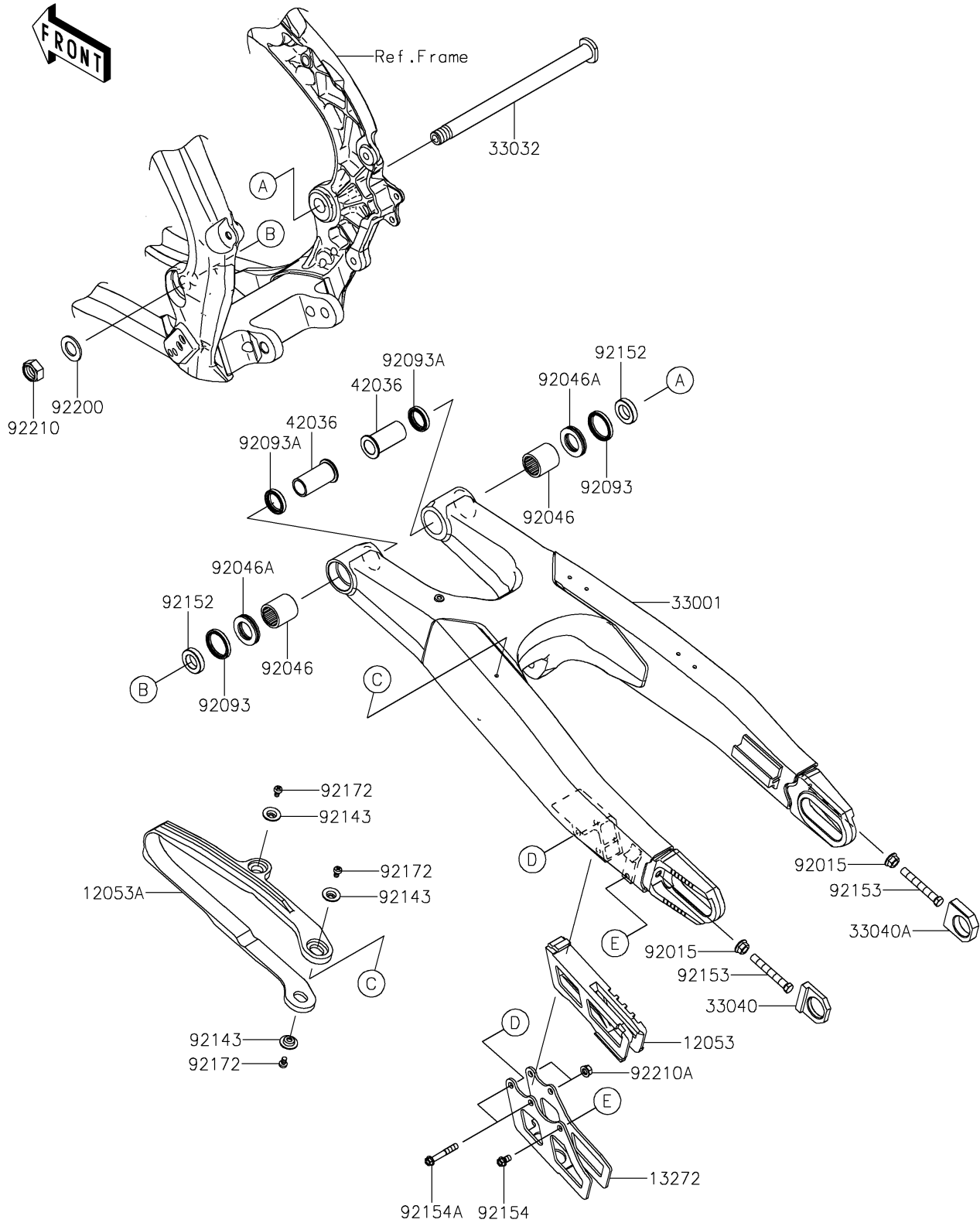


2020 KX250 PARTS DIAGRAM

Swingarm

F2141



2020 KX250 PARTS LIST

Swingarm

| ITEM NAME | PART NUMBER | QUANTITY |
|--|-------------|----------|
| GUIDE-CHAIN (Ref # 12053) | 12053-0125 | 1 |
| GUIDE-CHAIN (Ref # 12053A) | 12053-0223 | 1 |
| PLATE,CHAIN GUIDE (Ref # 13272) | 13272-1169 | 1 |
| ARM-COMP-SWING (Ref # 33001) | 33001-0728 | 1 |
| SHAFT-SWING ARM (Ref # 33032) | 33032-0012 | 1 |
| ADJUSTER-CHAIN,LH (Ref # 33040) | 33040-0050 | 1 |
| ADJUSTER-CHAIN,RH (Ref # 33040A) | 33040-0080 | 1 |
| SLEEVE,17X22X47.3 (Ref # 42036) | 42036-0784 | 2 |
| NUT,FLANGED,8MM (Ref # 92015) | 92015-1014 | 2 |
| BEARING-NEEDLE,TA2230Z (Ref # 92046) | 92046-1174 | 2 |
| BEARING-NEEDLE,NTBR22356E01 (Ref # 92046A) | 92046-1240 | 2 |
| SEAL,SDO29X35X4.5 (Ref # 92093) | 92093-1434 | 2 |
| SEAL,SDO22X29X5 (Ref # 92093A) | 92093-1435 | 2 |
| COLLAR (Ref # 92143) | 92143-1676 | 3 |
| COLLAR,17.1X29X6.7 (Ref # 92152) | 92152-2222 | 2 |
| BOLT,8X56 (Ref # 92153) | 92153-0620 | 2 |
| BOLT,6X10 (Ref # 92154) | 92154-2963 | 1 |
| BOLT,6X40 (Ref # 92154A) | 92154-2968 | 2 |
| SCREW,5X8 (Ref # 92172) | 92172-0119 | 3 |
| WASHER,17.2X30X2.3 (Ref # 92200) | 92200-0285 | 1 |
| NUT,LOCK,16MM (Ref # 92210) | 92210-0285 | 1 |
| NUT,FLANGED,6MM (Ref # 92210A) | 92210-0630 | 2 |