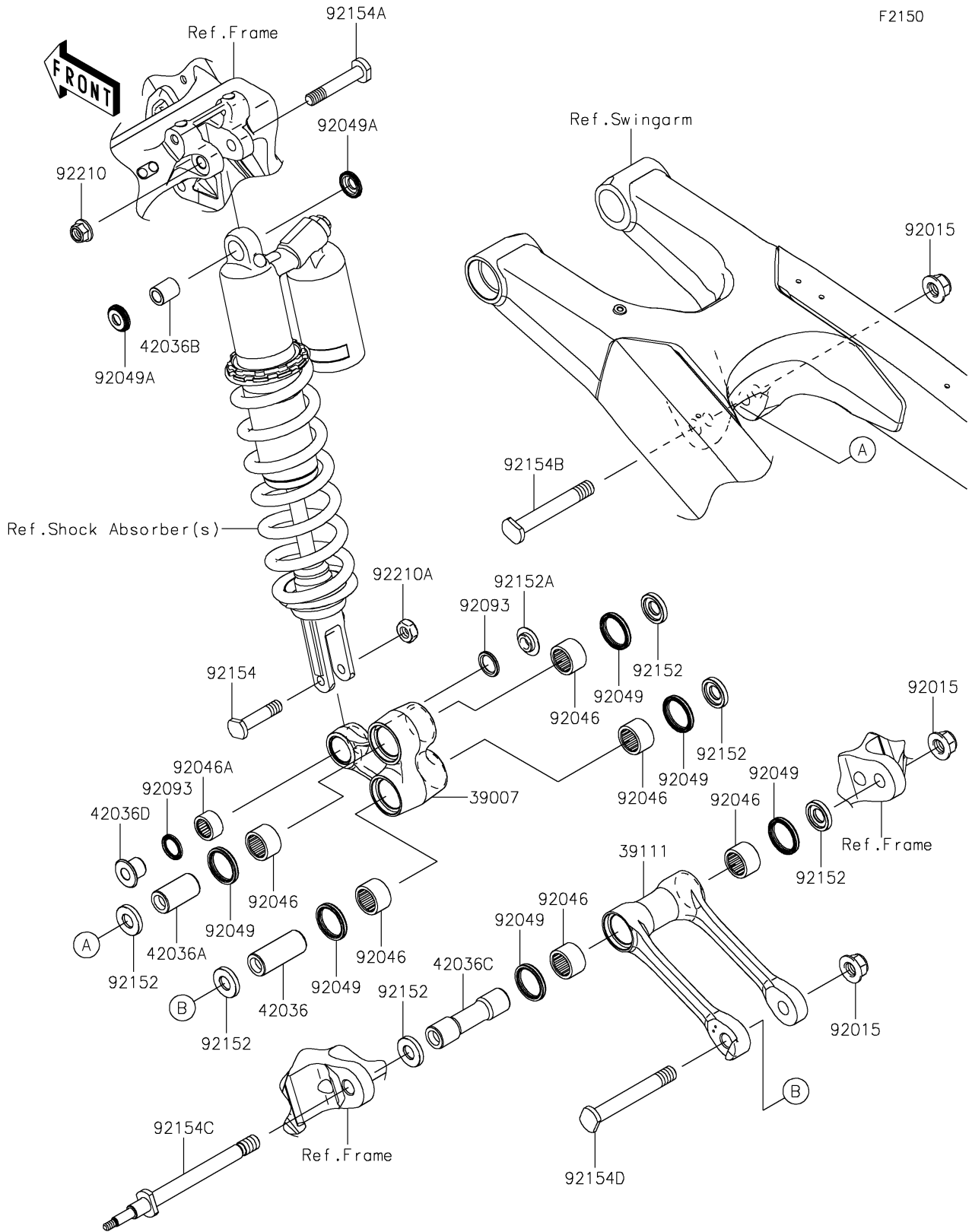


2020 KX250 PARTS DIAGRAM

Rear Suspension



2020 KX250 PARTS LIST

Rear Suspension

ITEM NAME	PART NUMBER	QUANTITY
ARM-SUSP (Ref # 39007)	39007-0398	1
ROD-TIE,L=132 (Ref # 39111)	39111-0341	1
SLEEVE,SUSPENSION ARM,L=49 (Ref # 42036)	42036-0021	1
SLEEVE,SUSPENSION ARM,L=37 (Ref # 42036A)	42036-0022	1
SLEEVE,10X16X19.3 (Ref # 42036B)	42036-0030	1
SLEEVE,12X20X78.4 (Ref # 42036C)	42036-0770	1
SLEEVE (Ref # 42036D)	42036-1351	1
NUT,LOCK,FLANGED,12MM (Ref # 92015)	92015-1433	3
BEARING-NEEDLE,F-2016 (Ref # 92046)	92046-1151	6
BEARING-NEEDLE,16BM2212 (Ref # 92046A)	92046-1192	1
SEAL-OIL,SDO26X32X4 (Ref # 92049)	92049-0063	6
SEAL-OIL (Ref # 92049A)	92049-0069	2
SEAL (Ref # 92093)	92093-1436	2
COLLAR (Ref # 92152)	92152-0425	6
COLLAR (Ref # 92152A)	92152-1139	1
BOLT,10X45 (Ref # 92154)	92154-0512	1
BOLT,10X58 (Ref # 92154A)	92154-0513	1
BOLT,12X86 (Ref # 92154B)	92154-1714	1
BOLT,12X122 (Ref # 92154C)	92154-1715	1
BOLT,12X92 (Ref # 92154D)	92154-1717	1
NUT,LOCK,FLANGED,10MM (Ref # 92210)	92210-1080	1
NUT,LOCK,10MM (Ref # 92210A)	92210-1184	1